

General description

These electrical connectors are designated MS because of the interchangeability and operating characteristics are determined by U. S. Military Specifications. The several designations of MS and VG connectors meet different requirements of MILC- 5015. These designations and general descriptions are as follows:

Shell

Shell constructions include solid back shell (A) and environmental resistant (E, F & R).

Environmental resistant connectors provide a moisture barrier and assure a positive seal.

Shell styles consist of wall type receptacles (3100), cable receptacles (3101), box receptacles (3102), straight plugs (3106) and angle plugs (3108). Shell hardware is manufactured from aluminium alloy and cadmium plated with olive drab chromate finish. This finish has excellent conductivity; it is non-reflecting and corrosion resistant. Black anodised finish and cadmiumfree zinc plating with olive drab chromate finish are also available. For details, contact factory.

Contacts

Pin and socket contacts are of brass and generally silver plated. Gold plating is also available. For details contact factory. These contacts are available for solder or crimp termination. Special arrangements of contacts for pre-mating and pre-earth are also available.

Inserts and grommet

Synthetic inserts and grommet manufactured according to MIL-R-3065, offer high dielectric strength and are resistant to oils, gasoline and low temperature.

General description

Plugs are available in A, F and R types. Receptacles are available in A, E, F and R types.

A solid backshell

Intended for general service usage to provide convenient means of connecting and disconnecting electrical circuits in industrial and military applications.

Environmental resisting

Intended for use where the connector will be subject to heavy condensation and rapid changes in temperature or pressure and/or where the connector is subjected to high vibratory conditions.

E Environmental resisting with grommet seal and strain relief backshell except for 3102 type.

F Environmental resisting with grommet seal, strain relief backshell and front gasket seal for plug type.

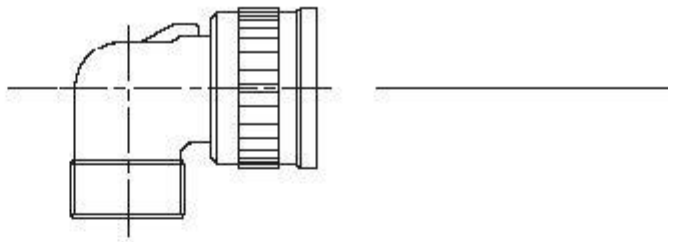
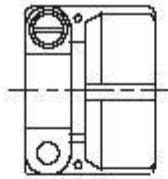
R Environmental resisting with grommet seal, shorter and lightweight.

Features for VG reverse bayonet coupling connectors with Mil-C-5015 insert patterns:

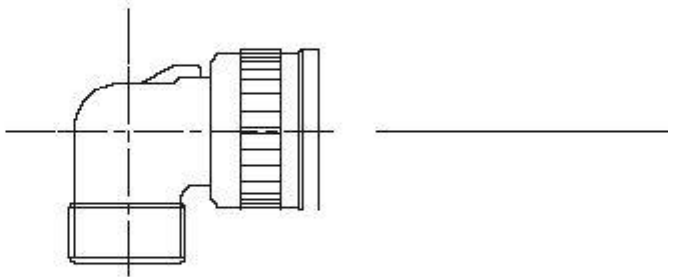
- Quick positive coupling
- No lockwiring required
- High shock and vibration capabilities
- Operating temperature range with Neoprene inserts: -55° C to +125° C
- Insert available in Neoprene material (alternate inserts materials available upon request)
- Available in both crimp and solder terminations
- Contacts available in gold and silver plating
- Numerous finishes available
- Zinc alloy plating (cadmium free) available
- 500 couplings minimum
- Rugged construction; aluminum or stainless steel components
- Intermateable with existing VG95234 Connectors

Connector styles

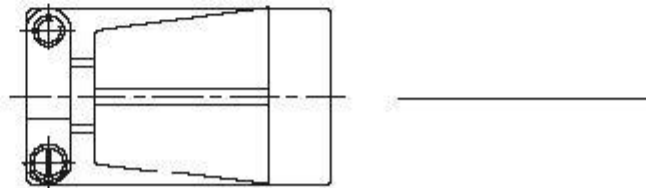
Class F
(Class R w/o
cableclamp)



Class A



Class E and F



Electrical data

Breakdown Voltage

Service rating	Test Voltage Vac rms
Inst.	1000V
A	2000V
D	2800V
E	3500V
B	4500V
C	7000V

Contact rating

Contact Size AWG	Rated Current	Contact Resistance milliohms
16	13A	3.6
12	23A	1.83
8	60A	0.52
4	80A	0.26
0	150A	0.1

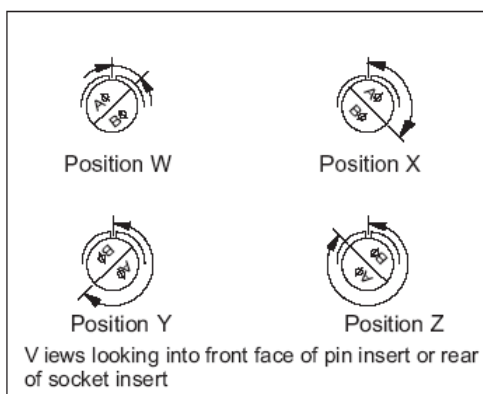
Operating Voltage

Service rating	Operating Voltage DC at Sea Level	Operating Voltage AC at Sea Level
Inst.	250V	200V
A	700V	500V
D	1250V	900V
E	1750V	1250V
B	250V	1750V
C	200V	3000V

Insert orientations

To avoid cross-plugging problems in applications requiring the use of more than one connector of the same size and arrangement, alternate insert rotations are available as indicated in the accompanying chart.

As shown in the diagram below, the front face of the pin insert is rotated within the shell in a clockwise direction from the normal shell key. The socket insert would be rotated counterclockwise the same number of degrees with respect to the normal shell key.



The following insert arrangements have the same alternate insert rotations for W,X,Y and Z which areas below:

Degree			
W	X	Y	Z
80	110	250	280

16-7	20-16	22-18	24-44	24-21	28-15	36-1
18-5	20-20	22-19	24-5	24-28	28-16	36-7
18-9	20-22	22-21	24-6	28-1	28-17	36-8
18-13	22-3	22-24	24-7	28-4	28-19	36-13
18-14	22-6	22-25	24-12	28-8	28-20	
20-7	22-12	22-29	24-14	28-9	28-21	
20-8	22-14	22-33	24-16	28-10	32-1	
20-9	22-15	22-34	24-17	28-11	32-3	
20-12	22-16	24-1	24-20	28-14	32-4	
20-14	22-17	24-3				

Insert Arrangement	Degrees			
	W	X	Y	Z
12S-3	70	145	215	290
14S-2	-	120	240	-
14S-5	-	110	-	-
14S-7	90	180	270	-
14S-9	70	145	215	290
16-9	35	110	250	325
16-10	90	180	270	-
16-11	35	110	250	325
16-13	35	110	250	325
16S-1	80	-	-	280
16S-4	35	110	250	325
16S-5	70	145	215	290
16S-6	90	180	270	-
16S-8	-	170	265	-
18-1	70	145	215	290
18-3	35	110	250	325
18-4	35	110	250	325
18-8	70	-	-	290
18-10	-	120	240	-
18-11	-	170	265	-
18-12	80	-	-	280
18-15	-	120	240	-
18-20	90	180	270	-
18-22	70	15	215	290
18-29	90	180	270	-
20-3	70	145	215	290
20-4	45	110	250	-
20-5	35	110	250	325

Insert Arrangement	Degrees			
20-6	70	145	215	290
20-15	80	-	-	280
20-17	90	180	270	-
20-18	35	110	250	325
20-19	90	180	270	-
20-21	35	110	250	325
20-23	35	110	250	325
20-2	35	110	250	325
20-27	35	110	250	325
20-29	80	-	-	280
22-1	35	110	250	325
22-2	70	145	215	290
22-4	35	110	250	325
22-5	35	110	250	325
22-8	35	110	250	325
22-9	70	145	215	290
22-10	35	110	250	325
22-11	35	110	250	325
22-13	35	110	250	325
22-20	35	110	250	325
22-22	-	110	250	-
22-23	35	-	250	-
22-27	80	-	250	280
22-28	80	-	-	280
24-2	80	-	-	280
24-9	35	110	250	325
24-10	80	-	-	280
24-11	35	110	250	325

Insert Arrangement	Degrees			
24-22	45	110	250	-
24-27	80	-	-	280
28-2	35	110	250	325
28-3	70	145	215	290
28-5	35	110	250	325
28-6	70	15	215	290
28-7	35	110	250	325
28-12	90	180	270	-
28-18	70	145	215	290
28-22	70	145	215	290
32-8	80	125	235	280
36-3	70	145	215	290
36-4	70	145	215	290
36-5	-	120	20	-
36-6	35	110	250	325
36-9	80	125	235	280
36-10	80	125	235	280
36-14	90	180	270	-
36-15	60	125	245	305
40-56	72	144	216	288

Insert Arrangements

Insert Arrangement	Service Rating	Total Contacts	Contact Size & No Of Pins				
			0	4	8	12	16
10SL-2	A	1					1
10SL-3	A	3					3
10SL-4	A	2					2
12S-3	A	2					2
12S-4	D	1					1
12-5	D	1					1
14S-2	Inst	4					4
14S-4	D	1					1
14S-5	Inst	5					5
14S-6	Inst	6					6
14S-7	A	3					3
14S-9	A	2					2
14S-10	Inst	4					4
14S-12	A	3					3
14-3	A	1			1		
16S-1	A	7					7
16S-3	B	1					4
16S-4	D	2					2
16S-5	A	3					3
16S-6	A	3					3
16S-8	A	5					5
16-2	E	1					1
16-7	A	3			1	2	
16-9	A	4				2	2
16-10	A	3				3	
16-11	A	2				2	
16-12	A	1		1			
16-13	A	2				2	
18-1	A/Inst	10					10
18-3	D	2				2	
18-4	D	4					4
18-5	D	3				2	1
18-6	D	1		1			
18-7	B	1			1		
18-8	A	8				1	7
18-9	Inst	7				2	5
18-10	A	4				4	
18-11	A	5				5	
18-12	A	6					6
18-13	A	4			1	3	
18-14	A	2		1			1
18-15	A	4				4	
18-16	C	1				1	
18-17	Inst	7				2	5
18-19	A	10					10
18-20	A	5					5
18-22	D	3					3
18-24	A/Inst	10					10
18-29	A	5					5
18-30	A	5					5
18-31	A	5					5
20-3	D	3				3	
20-4	D	4				4	
20-6	D	3					3
20-7	D A	8					8
20-8	Inst	6			2		4

Insert Arrangement	Service Rating	Total Contacts	Contact Size & No Of Pins				
			0	4	8	12	16
20-9	D A	8				1	7
20-11	Inst	13					13
20-12	A	2		1			1
20-14	A	5			2	3	
20-15	A	7				7	
20-16	A	9				2	7
20-17	A	6				5	1
20-18	A	9				3	6
20-19	A	3			3		
20-20	A	4		1		3	
20-21	A	9				1	8
20-22	A	6			3		3
20-23	A	2			2		
20-24	A	4			2		2
20-25	Inst	13					13
20-27	A	14					14
20-29	A	17					17
20-30	Inst	13					13
20-33	A	11					11
22-1	D	2			2		
22-2	D	3			3		
22-4	A	4			2	2	
22-5	D	6				2	4
22-6	D	3			2		1
22-7	E	1	1				
22-8	E	2				2	
22-9	E	3				3	
22-10	E	4					4
22-11	B	2					2
22-12	D	5			2		3
22-13	D/A	5				4	1
22-14	A	19					19
22-15	E/A	6				5	1
22-16	A	9				3	6
22-17	D/A	9				1	8
22-18	D/A	8					8
22-19	A	14					14
22-20	A	9					9
22-21	A	3	1				2
22-22	A	4			4		
22-23	D/A	8				8	
22-24	D/A	6				2	4
22-27	D/A	9			1		8
22-28	A	7					7
22-33	D/A	7					7
22-34	D	5				3	2
24-2	D	7				7	
24-3	D	7				2	5
24-5	A	16					16
24-6	D/A	8				8	
24-7	A	16				2	14
24-9	A	2		2			
24-10	A	7				7	
24-11	A	9				3	6
24-12	A	5			2		3
24-16	D/A	7			1	3	3
24-17	D	5				2	3

Insert Arrangement	Service Rating	Total Contacts	Contact Size & No Of Pins				
			0	4	8	12	16
24-20	D	11				2	9
24-21	D	10				1	9
24-22	D	4				4	
24-27	E	7					7
24-28	Inst	24					24
28-1	D/A	9			3	6	
28-2	D	14				2	12
28-3	E	3			3		
28-4	E/D	9				2	7
28-5	D	5		2		1	2
28-6	D	3		3			
28-7	D	2		2			
28-8	E D A	12				2	10
28-9	D	12				6	6
28-10	D A	7		2	2	3	
28-11	A	22				4	18
28-12	A	26					26
28-13	A	26					26
28-15	A	35					35
28-16	A	20					20
28-17	B/D/A	15					15
28-18	CDA	12					12
28-19	B/D/A	10				4	6
28-20	A	14				10	4
28-21	A	37					37
28-22	D	6		3			3
32-1	D/A	5	2			3	
32-3	D	9	1	2		2	4
32-4	A D	14				2	12
32-8	A	30				6	24
36-1	D	22				4	18
36-3	D	6	3			3	
36-4	D/A	3	3				
36-5	A	4	4				
36-6	A	6	2	4			
36-7	A	47				7	40
36-8	A	47				1	4
36-9	A	31		1	2	14	14
36-10	A	48					48
36-11	A	48					48
36-12	A	48					48
36-13	E/A	17				2	15
36-14	D	16			5	5	6
36-15	D/A	35					35
36-16	A	47				7	40
36-17	A	47				7	40
36-18	A	31		1	2	14	14
36-20	A	34			2	2	30
36-52	A	52					52
40-56	A	85					85
40-63							
20-A48							
20-A9							
32-5							
32-6							
32-17							

Insert arrangements

Front face of pin insert or rear of socket insert illustrated



		Front of socket insert	Front of socket insert			
Insert arrangement	10S-2	10SL-3	10SL-4	12S-3	12S-4	12-5
Service rating	A	A	A	A	A	D
Number of contacts	1	3	2	2	1	1
Contact size	16	16	16	16	16	12
Premating contact	-	C	-	-	-	-

Insert arrangement	14S-2	14S-4	14S-5	14S-6	14S-7	14S-9
Service rating	Inst.	D	Inst.	Inst.	A	A
Number of contacts	4	1	5	6	3	2
Contact size	16	16	16	16	16	16
Premating contact	-	-	-	-	B	-

	100 rotation of 14S-2	100 rotation of 14S-7				
Insert arrangement	14S-10	14S-12	14-3	16S-1	16S-3	16S-4
Service rating	Inst.	A	A	A	B	D
Number of contacts	4	3	1	7	1	2
Contact size	16	16	8	16	16	16
Premating contact	-	B	-	G	-	-

Insert arrangement	16S-5	16S-6	16S-8	16-2	16-7	16-9
Service rating	A	A	A	E	A	A
Number of contacts	3	3	5	1	1 2	2 2
Contact size	16	16	16	12	8 16	12 16
Premating contact	A	B	E	-	C	-

Insert arrangements

Front face of pin insert or rear of socket insert illustrated



Insert arrangement	16-10	16-11	16-12	16-13	18-1	18-3
Service rating	A	A	A	A	B,C,F,G=A; Bal.=Inst.	
Number of contacts	3	2	1	2	10	
Contact size	12	12	4	12	16	
Premating contact	B	-	-	-	-	

Insert arrangement	18-4	18-5	18-6	18-7	18-8	18-9
Service rating	D	D	D	B	A	Inst.
Number of contacts	4	2	1	1	17	5
Contact size	16	12	16	4	12	16
Premating contact	A	C	-	-	H	-

Insert arrangement	18-10	18-11	18-12	18-13	18-14	18-15
Service rating	A	A	A	A	A	A
Number of contacts	4	5	6	1	1	4
Contact size	12	12	16	8	16	12
Premating contact	D	E	C or D	A	-	-

		100 rotation of 18-9				250 rotation of 18-1
Insert arrangement	18-16	18-17	18-19	18-20	18-22	18-24
Service rating	C	Inst.	A	A	D	B,C,F,G=A; Bal.=Inst.
Number of contacts	1	2	5	10	5	3
Contact size	12	12	16	16	16	16
Pre-mating contact	-	-	K	D	C	-

Insert arrangements

Front face of pin insert or rear of socket insert illustrated



Insert arrangement	18-29	18-30	18-31	20-3	20-	20-6
Service rating	A	A	A	D	D	D
Number of contacts	5	5	5	4	4	3
Contact size	16	16	16	12	12	16
Premating contact	D	C	C	A	C or D	A

Insert arrangement	20-7	20-8	20-9	20-11	20-12	20-14
Service rating	A,B,H,G=D;C,D, E,F=A	Inst.	H=D;Bal.=A	Inst.	A	A
Number of contacts	8	2 4	1 7	13	1 1	2 3
Contact size	16	8 16	12 16	16	4 16	8 12
Premating	A	-	H	-	-	D

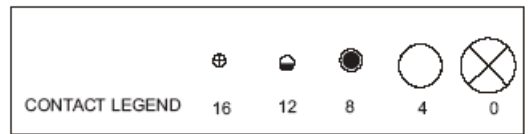
Insert arrangement	20-15	20-16	20-17	20-18	20-19	20-20
Service rating	A	A	A	A	A	A
Number of contacts	7	2 7	5 1	3 6	3	1 3
Contact size	12	12 16	12 16	12 16	8	4 12
Premating contact	A or D	E	E or F	D	C	A

100 rotation of 18-9			250 rotation of 18-1			
Insert arrangement	20-21	20-22	20-23	20-24	20-25	20-27
Service rating	A	A	A	A	Inst.	A
Number of contacts	1 8	3 3	2	2 2	13	14
Contact size	12 16	8 16	8	8 16	16	16
Premating contact	1	-	C	-	-	M

Front face of pin insert or rear of socket insert illustrated

Insert arrangements

Front face of pin insert or rear of socket insert illustrated



	250 rotation of 20-11				
Insert arrangement	20-29	20-30	20-33	22-1	22-2
Service rating	A	Inst	A	D	D
Number of contacts	17	13	11	2	3
Contact size	16	16	16	8	8
Premating contact	G	-	E	-	A

Insert arrangement	22-4	22-5	22-6	22-7	22-8
Service rating	A	D	D	E	E
Number of contacts	2	2	2	1	2
Contact size	8	12	12	16	12
Premating contact	C	D	B	-	-

Insert arrangement	22-9	22-10	22-11	22-12	22-13
Service rating	E	E	B	D	E=D; A,B,C,D=A
Number of contacts	3	4	2	2	3
Contact size	12	16	16	8	16
Premating contact	A	C	-	A	E

Insert arrangement	22-14	22-15	22-16	22-17	22-18
Service rating	A	D=E; A,B,C,E,F=A	A	A=D; Bal.=A	A,B,F,G,H=D; C,D,E=A
Number of contacts	19	5	3	6	8
Contact size	16	12	16	12	16
Premating contact	A	D	D	E	D

Insert arrangements

Front face of pin insert or rear of socket insert illustrated



Insert arrangement	22-19	22-20	22-21	22-22	22-23
Service rating	A	A	A	A	H=D;Bal.=A
Number of contacts	1	9	1 2	4	8
Contact size	16	16	0 6	8	12
Premating contact	F	D	-	C or D	A or D

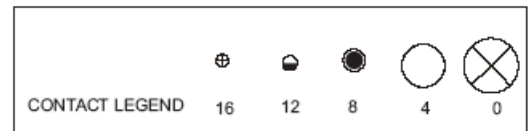
Insert arrangement	22-2	22-27	22-28	22-23	22-34
Service rating	C,D,E=D;A,B,F=A	J=D;Bal.=A	A	A,B,C,D=D;E,F,G=A	D
Number of contacts	2 4	1 8	7	7	3 2
Contact size	12 16	8 16	12	16	12 16
Premating contact	D	-	G	E	E

Insert arrangement	24-2	24-3	24-5	24-6	24-7
Service rating	D	D	A	A,G,H=D;Bal.=A	A
Number of contacts	7	2 5	16	8	2 14
Contact size	12	12 16	16	12	12 16
Premating contact	A	D	S	D	G

Insert arrangement	24-19	24-10	24-11	24-12	24-16
Service rating	A	A	A	A	A,B,F,G=D;C,D,E=A
Number of contacts	2	7	3 6	2 3	1 3 3
Contact size	4	8	8 12	4 12	8 12 16
remating contact	-	D or E or G	E	-	G

Insert arrangements

Front face of pin insert or rear of socket insert illustrated



Insert arrangement	24-17		24-20		24-21	24-22	24-27	
Service rating	D		D		D	D	E	
Number of contacts	2	3	2	9	1	9	4	7
Contact size	12	16	12	16	8	16	8	16
Premating contact	D		A		E	D	D	

Insert arrangement	24-28	28-1		28-2	28-3	
Service rating	Inst.	A,J,E=D;Bal.=A		D	E	
Number of contacts	24	3	6	2	12	3
Contact size	16	8	12	12	16	8
Premating contact	-	E		E	A	

Insert arrangement	28-4		28-5	28-6	28-7		
Service rating	G,S,P=E;Bal.=D		D	D	D		
Number of contacts	2	7	2	1	2	3	2
Contact size	12	16	4	12	16	4	4
Premating contact	E		-	A	-		

Insert arrangement	28-8		28-9	28-1024-22	28-11				
Service rating	L,M=E;B=D;Bal.=A		D	G=D;Bal.=AD	A				
Number of contacts	2	10	6	6	2	2	3	4	18
Contact size	12	16	12	16	4	8	12	12	16
Premating contact	D		E	G	M				

Insert arrangements

Front face of pin insert or rear of socket insert illustrated



Insert arrangement	28-12	28-13	28-15	28-16
Service rating	A	A	A	A
Number of contacts	26	26	35	20
Contact size	16	16	16	16
Premating contact	H	H	M	F

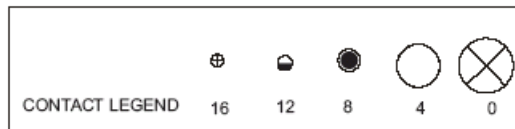
Insert arrangement	28-17	28-18	28-19	28-20
Service rating	R=B;M,N,P=D; AtoL=A	M=C;G,H,J,K,L=D; A,B=ABal.=Inst.	H,M=B;A,B=D;Bal.=A	A
Number of contacts	15	12	4 6	10 4
Contact size	16	16	12 16	12 16
Premating contact	N	-	H	E

Insert arrangement	28-21	28-22	32-1	32-3
Service rating	A	D	A=E;B,C,D,E=A	D
Number of contacts	37	3 3	2 3	1 2 2 4
Contact size	16	4 16	0 12	0 4 12 16
Premating contact	A	-	-	-

Insert arrangement	32-44	32-8	36-1	36-3
Service rating	F,J,K,N=A;Bal.=D	A	D	D
Number of contacts	2 12	6 24	4 18	3 3
Contact size	12 16	12 16	12 16	0 12
Premating contact	-	S	-	-

Insert arrangements

Front face of pin insert or rear of socket insert illustrated



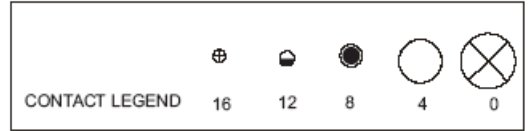
Insert arrangement	36-4	36-5	36-6
Service rating	A=D;B,C=A	A	A
Number of contacts	3	4	2 4
Contact size	0	0	0 4
Premating contact	-	-	-

Insert arrangement	36-7	36-8	36-9
Service rating	A	A	A
Number of contacts	7 0	1 6	1 2 1 1
Contact size	12 16	12 16	8 12 16
Premating contact	x or y		

Insert arrangement	36-10	36-11	36-12
Service rating	A	A	A
Number of contacts	8	8	8
Contact size	16	16	16
Premating contact	A	A	A

Insert arrangements

Front face of pin insert or rear of socket insert illustrated



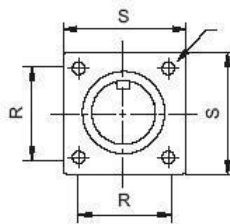
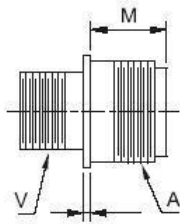
Insert arrangement	36-13		36-14
Service rating	N,P,Q=E; Bal.=A		D
Number of contacts	2	15	5 5 6
Contact size	12	16	8 12 16
Premating contact	-		J

	100° rotation of 36-7	250° rotation of 36-7	100° rotation of 36-9
Insert arrangement	36-16		36-17
Service rating	A		A
Number of contacts	7	4 0	7 4 0 1 2 1 4 1 6
Contact size	12	16	4 8 12 16
Premating contact	x or y		-

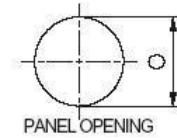
Insert arrangement	36-20	
Service rating	A	
Number of contacts	7	2 30
Contact size	8	12 16
Premating contact	K	
		36-52
Service rating		A
Number of contacts		52
Contact size		16
Premating contact		-

Shell types

Wall Mounting Receptacle MS-3100 MS-4100



MOUNTING HOLES
 4.39 DIA. FOR SIZE 32 AND 36
 3.73 DIA. FOR SIZE 2 AND 28
 3.05 DIA. FOR ALL OTHER SIZES

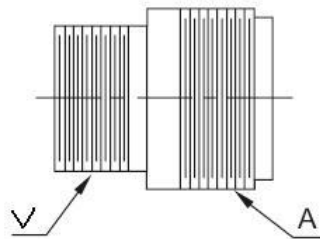


All dimensions are in mm

Connector Size	A		M	O	R	S	Thread in inches
10SL	5/8-24 UNEF	1.98	14.29	20.62	18.25	25.68	5/8-24 NEF
12S	3/4-20 UNEF	1.98	14.29	20.62	20.64	27.76	11/16-24NEF
12	3/4-20 UNEF	1.98	19.05	20.62	20.64	27.76	11/16-24NEF
14S	7/8-20 UNEF	1.98	14.29	23.82	23.02	30.43	3/4-20 U NEF
14	7/8-20 UNEF	1.98	19.05	23.82	23.02	30.43	3/4-20 UNEF
16S	1-20 UNEF	1.98	14.29	26.97	24.61	32.82	7/8-20 UNEF
16	1-20 UNEF	3.17	19.05	29.97	24.61	32.82	7/8-20 UNEF
18	1 1/8 - 18 UNEF	3.17	19.05	30.17	26.99	35.07	1-20 UNEF
20	1 1/4 - 18 UNEF	3.17	19.05	33.32	29.37	38.38	1 1/8-2 NS
22	1 3/8 - 18 UNEF	3.17	19.05	36.52	31.75	41.55	1 1/4-18 NEF
24	1 1/2 - 18 UNEF	3.17	20.6	39.67	34.92	44.70	1 3/8-18 NEF
28	1 3/4 - 18 UNS	3.17	20.6	6.02	39.69	51.08	1 5/8-18 NEF
32	2-18 UNS	3.17	22.25	53.0	44.45	57.15	1 29/32-18 NS
36	2 1/4 - 16 UN	3.17	22.22	58.72	9.21	63.78	2 1/16-20 UNS
40	2 1/2-16 UN	3.45	22.22	62.00	55.58	69.85	2 5/16-16 UN

Cable connecting receptacle

MS-3101 MS-4101

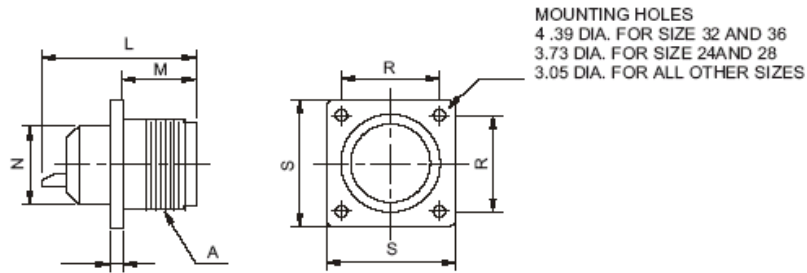


All dimensions are in mm

Connector Size	A Thread in inches	V Thread in inches
10SL	5/8-24 UNEF	5/8-24 NEF
12S	3/4-20 UNEF	11/16-2NEF
12	3/4-20 UNEF	11/16-2NEF
14S	7/8-20 UNEF	3/4-20 U NEF
14	7/8-20 UNEF	3/4-20 UNEF
16S	1-20 UNEF	7/8-20 UNEF
16	1-20 UNEF	7/8-20 UNEF
18	1 1/8 - 18 UNEF	1-20 UNEF
20	1 1/4 - 18 UNEF	1 1/8-2 NS
22	1 3/8 - 18 UNEF	1 1/4-18 NEF
24	1 1/2 - 18 UNEF	1 3/8-18 NEF
28	1 3/4 - 18 UNS	1 5/8-18 NEF
32	2-18 UNS	1 29/32-18 NS
36	2 1/4 - 16 UN	2 1/16-20 UNS
40	2 1/2-16 UN	2 5/16-16 UN

Shell types

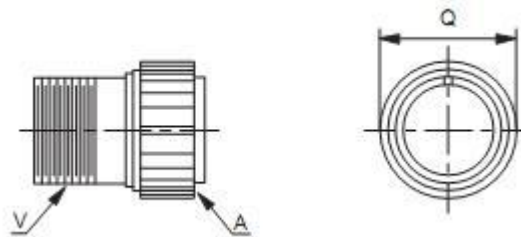
Box mounting receptacle MS-3102



All dimensions are in mm

Connector Size	A Thread in inches		L	M	N	R	S
10SL	5/8-24 UNEF	1.98	30.18	13.89	15.87	18.25	25.68
12S	3/4-20 UNEF	1.98	30.18	14.28	17.46	20.64	28.04
12	3/4-20 UNEF	1.98	41.28	19.05	17.46	20.64	28.04
14S	7/8-20 UNEF	1.98	30.18	14.28	19.05	23.02	30.43
14	7/8-20 UNEF	1.98	41.28	19.05	19.05	23.02	30.43
16S	1-20 NEF	1.98	30.18	14.28	22.22	24.61	32.82
16	1-20 NEF	3.17	41.28	19.05	22.22	24.61	32.82
18	1 1/8 - 18 UNEF	3.17	49.28	19.05	25.40	26.99	35.08
20	1 1/4 - 18 UNEF	3.17	49.28	19.05	28.57	29.37	38.38
22	1 3/8 - 18 UNEF	3.17	49.28	19.05	31.75	31.75	41.55
24	1 1/2 - 18 UNEF	3.17	49.28	20.64	3.92	34.92	44.70
28	1 3/4 - 18 UNS	3.17	49.28	20.64	1.27	39.69	51.08
32	2-18 UNS	3.17	49.28	22.22	8.26	44.45	57.15
36	2 1/4 - 16 UN	3.17	49.28	22.22	53.97	49.21	63.78
40	2 1/2 - 16 UN	3.45	49.28	22.22	58.25	55.58	69.85

Straight plug MS-3106

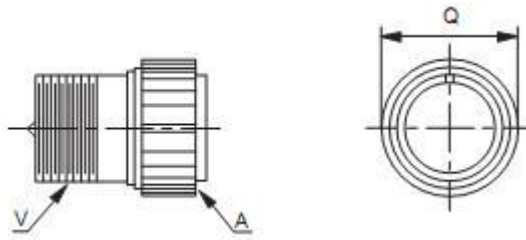


All dimensions are in mm

Connector Size	A	Q	V
10SL	5/8-24 UNEF	19.05	5/8-24 NEF
12S	3/4-20 UNEF	19.84	11/16-24 NEF
12	3/4-20 UNEF	19.84	11/16-24 NEF
14S	7/8-20 UNEF	22.22	3/4-20 UNEF
14	7/8-20 UNEF	22.22	3/4-20 UNEF
16S	1-20 UNEF	25.40	7/8-20 UNEF
16	1-20 UNEF	25.40	7/8-20 UNEF
18	1 1/8 - 18 UNEF	28.57	1-20 UNEF
20	1 1/4 - 18 UNEF	31.75	1 1/8 - 24 NS
22	1 3/8 - 18 UNEF	34.92	1 1/4 - 18 NEF
24	1 1/2 - 18 UNEF	38.10	1 3/8 - 18 NEF
28	1 3/4 - 18 UNS	44.55	1 5/8 - 18 NEF
32	2-18 UNS	51.75	1 7/8 - 32-18 NS
36	2 1/4 - 16 UN	57.15	2 1/16 - 20 UNS
40	2 1/2 - 16 UN	63.50	2 5/16 - 20 UN

Note - Both versions, straight and diamond knurling available on coupling ring. For details, contact factory.

Shell types
Right angle plug MS-3108

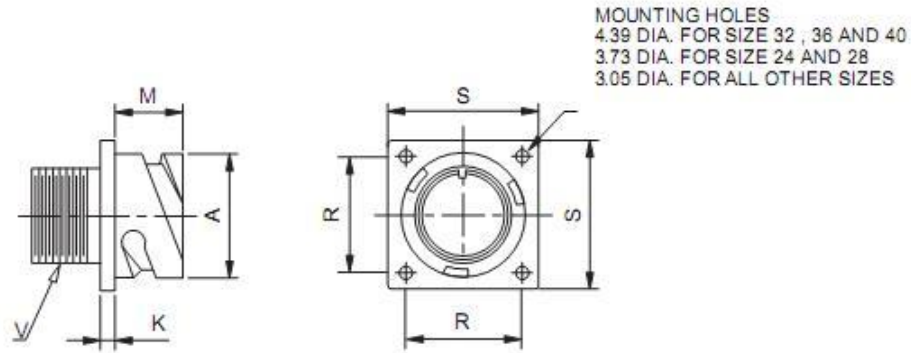


All dimensions are in mm

Connector Size	A Thread in inches	Q max	V Thread in inches
10SL	5/8-24 UNEF	19.05	5/8-24 NEF
12S	3/4-20 UNEF	19.84	11/16-2 NEF
12	3/4-20 UNEF	19.84	11/16-2 NEF
14S	7/8-20 UNEF	22.22	3/4 -20 NEF
14	7/8-20 UNEF	22.22	3/4-20 NEF
16S	1-20 UNEF	25.40	7/8 -20 NEF
16	1-20 UNEF	25.40	7/8-20 NEF
18	1 1/8 - 18 UNEF	28.57	1-20 NEF
20	1 1/4- 18 UNEF	31.75	11/8- 2 NS
22	1 3/8 - 18 UNEF	33.92	1 1/4 - 18 NEF
24	1 1/2 - 18 UNEF	38.10	1 3/8 - 18 NEF
28	1 3/4 - 18 UNS	44.55	1 5/8- 18 NEF
32	2-18 UNS	51.75	1 29 / 32-18 NS
36	2 1/4 - 16 NS	57.15	2 1/16 - 20 UNS
40	2 1/2 -16 UN	63.50	2 5/16 - 20 UN

Note - Both versions, straight and diamond knurling available on coupling ring. For details, contact factory.

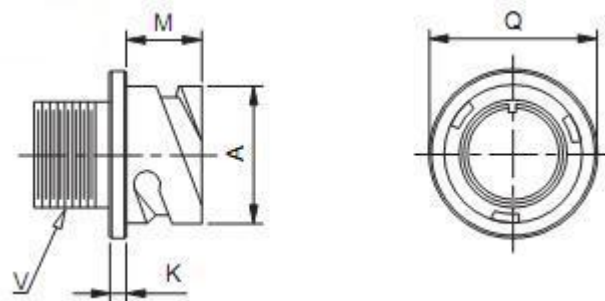
Shell types
Right angle VG-3100



All dimensions are in mm

Connector Size	A	K	M	R	S	V Thread in inches
10SL	18.2	2.8	14.2	18.2	25.4	5/8-2 NEF
14S	24.6	3.2	14.2	23.0	30.0	3/4-20 UNEF
16S	27.4	3.2	14.2	24.6	32.5	7/8-20 UNEF
16	27.4	3.2	19.0	24.6	32.5	7/8-20 UNEF
18	30.8	4.0	19.0	27.0	35.0	1-20 UNEF
20	34.2	4.0	19.0	29.4	38.0	1 1/8-2 NS
22	37.2	4.0	19.0	31.8	41.0	1 1/4-18 NEF
24	40.9	4.0	20.6	34.9	44.5	1 3/8-18 NEF
28	46.7	4.0	20.6	39.7	50.8	1 5/8-18 NEF
32	53.4	4.0	22.2	44.5	57.0	1 29/32-18 NS
36	59.6	4.0	22.2	49.2	63.5	2 1/16-20 UNS
40	65.5	4.0	22.2	55.5	69.85	2 5/16-16 UN

Cable connecting receptacle VG-3101

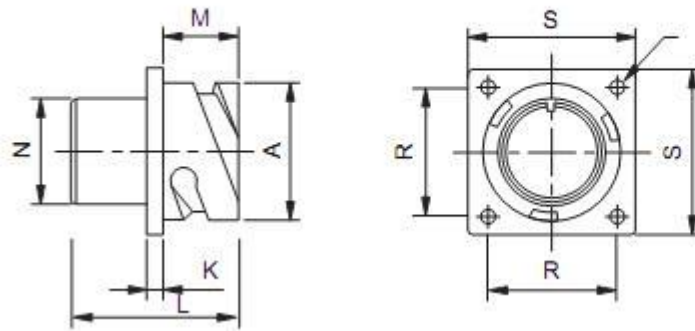


All dimensions are in mm

Connector Size	A	K	M	Thread in inches
10SL	18.2	2.8	14.2	5/8-2 NEF
14S	24.6	3.2	14.2	3/4-20 NEF
16S	27.4	3.2	14.2	7/8-20 NEF
16	27.4	3.2	19.0	7/8-20 NEF
18	30.8	4.0	19.0	1-20 NEF
20	34.2	4.0	19.0	1 1/8-2 NS
22	37.4	4.0	19.0	1 1-18 NEF
24	40.9	4.0	20.6	1 3/8-18 NEF
28	46.7	4.0	20.6	1 5/8-18 NEF
32	53.4	4.0	22.2	1 29/32-18 UNS
36	59.6	4.0	22.2	2 1/16-20 UNS
40	65.5	4.0	22.2	2 5/16-16 UNS

Shell types

Front box mounting receptacle VG-3102R



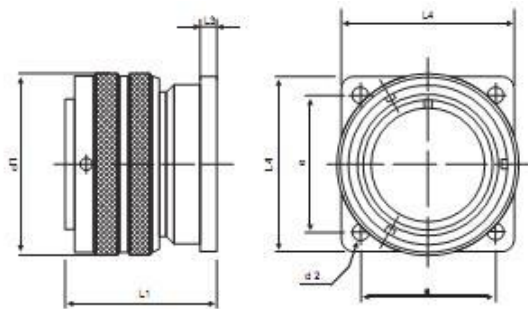
MOUNTING HOLES
 4.39 DIA. FOR SIZE 32, 36 AND 40
 3.73 DIA. FOR SIZE 24 AND 28
 3.05 DIA. FOR ALL OTHER SIZES

All dimensions are in mm

Connector Size	D	K	M	R	S	N max	L max
10SL	18.2	2.8	14.2	18.2	25.4	15.9	24.7
14S	24.6	3.2	14.2	23.0	30.0	19.2	24.7
16S	27.4	3.2	14.2	24.6	32.5	22.4	24.7
16	27.4	3.2	19.0	24.6	32.5	22.4	33.8
18	30.8	4.0	19.0	27.0	35.0	25.6	34.5
20	34.2	4.0	19.0	29.4	38.0	29.0	34.5
22	37.2	4.0	19.0	31.8	41.0	32.2	34.5
24	40.9	4.0	20.6	34.9	44.5	35.3	35.7
28	46.7	4.0	20.6	39.7	50.8	41.4	35.7
32	53.4	4.0	22.2	44.5	57.0	47.8	37.3
36	59.6	4.0	22.2	49.2	63.5	52.4	37.3
40	65.5	4.0	22.2	55.5	69.85	58.70	37.3

Shell types

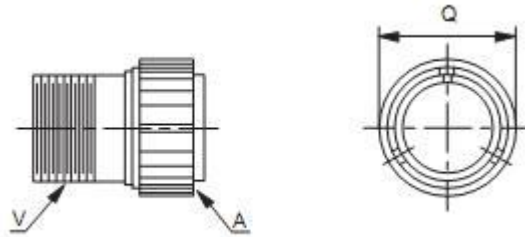
Panel Mounting Plug Connector VG-3110



All dimensions are in mm

Connector Size	d ₁ Max	d ₂ H13	e ±0.1	l ₁ ~	l ₃ ±0.2	l ₄ ±0.3
10SL	22.8	3.2	18.2	28.1	2.8	25.4
14S	29.2	3.2	23	28.1	3.2	30
16S	32	3.2	24.6	28.1	3.2	32.5
16	32	3.2	24.6	37.6	3.2	32.5
18	36.5	3.2	27	38.6	4	35
20	39.9	3.2	29.4	38.6	4	38
22	43.1	3.2	31.8	38.6	4	41
24	46.6	3.7	34.9	41	4	44.5
28	53.4	3.7	39.7	41.8	4	50.8
32	60.1	4.3	44.5	45	4	57
36	66.3	4.3	49.2	45	4	63.5
40	72.5	4.3	55.5	45	4	69.9

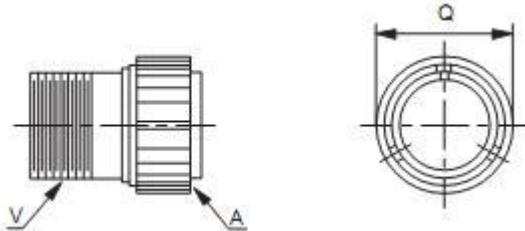
Shell types
Straight plug VG-3106



All dimensions are in mm

Connector Size	max	Thread in inches
10SL	22.8	5/8-24 NEF
14 S	29.2	3/4-20 UNEF
16S	32.0	7/8-20 UNEF
16	32.0	7/8-20 UNEF
18	36.5	1-20 UNEF
20	39.9	1 1/8-24 NS
22	43.1	1 1/4-18 NEF
24	46.6	1 3/8-18 NEF
28	53.4	1 5/8-18 NEF
32	60.1	1 29/32-18 NS
36	66.3	2 1/16-20 UNS
40	69.10	2 5/16-16 UN

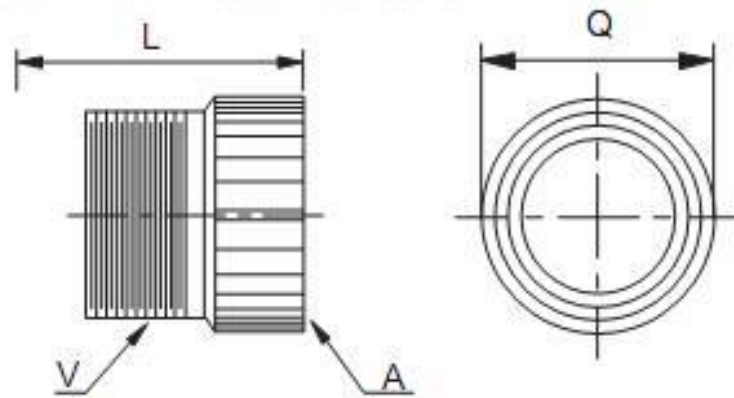
Shell types
Right angle plug VG-3108



All dimensions are in mm

Connector Size	max	Thread in inches
10SL	22.8	5/8-24 NEF
14 S	29.2	3/4-20 UNEF
16S	32.0	7/8-20 UNEF
16	32.0	7/8-20 UNEF
18	36.5	1-20 UNEF
20	39.9	1 1/8-24 NS
22	43.1	1 1/4-18 NEF
24	46.6	1 3/8-18 NEF
28	53.4	1 5/8-18 NEF
32	60.1	1 29/32-18 NS
36	66.3	2 1/16-20 UNS
40	69.10	2 5/16-16 UN

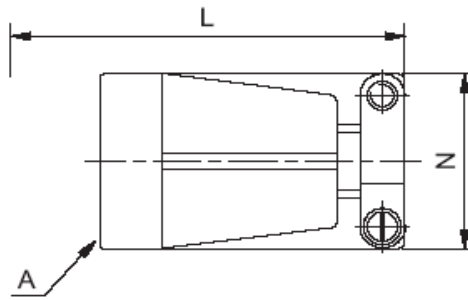
Back accessories
 Solid backshell with out grommet and sleeve
 Class A



All dimensions are in mm

Connector Size	A Thread in inches	L max for MS/VG	L max for VG	Q max	V Thread in inches
10SL	5/8-24 NEF	32.54	37.60	19.05	5/8-24 UNEF
12 S	11/16-24 NEF	37.31	-	19.8	5/8-24 UNEF
12	11/16-24 NEF	46.83	-	19.8	5/8-24 UNEF
14S	3/4-20 UNEF	36.51	37.64	22.22	3/4-20 UNEF
14	3/4-20 UNEF	46.83	-	22.22	3/4-20 UNEF
16S	7/8-20 UNEF	37.70	38.83	25.40	7/8-20 UNEF
16	7/8-20 UNEF	48.02	8.00	25.40	7/8-20 UNEF
18	1-20 UNEF	50.80	51.58	28.57	1-20 UNEF
20	1 1/8-24 NS	53.97	54.75	31.75	1 3/16-18 UNEF
22	1 1/4-18 NEF	53.97	54.75	34.92	1 3/16-18 UNEF
24	1 3/8-18 NEF	57.15	57.94	38.10	1 7/16-18 UNEF
28	1 5/8-18 NEF	57.15	57.94	44.45	1 7/16-18 UNEF
32	1 29/32-18 NS	59.0	59.78	51.75	1 3/4-18 UNS
36	2 1/26-20 UNS	60.31	61.13	51.75	2-18 UNS
40	2 5/16-16 UN	71.80	80.00	63.50	2 1/4 - 16 UN

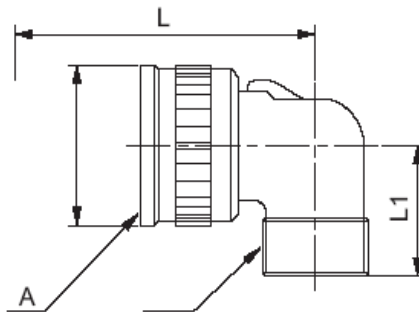
Back accessories
Strain Relief Backshell with Grommet and Sleeve
Class E and F



All dimensions are in mm

Connector Size	Thread in inches	L max for MS/VG	L max for VG	N max
10SL	5/8-24 NEF	54.07	59.10	21.97
12 S	11/16-24 NEF	54.07	-	21.97
14S	3/4-20 UNEF	55.90	61.34	25.15
16S	7/8-20 UNEF	55.90	62.86	28.45
16	7/8-20 UNEF	64.41		28.45
18	1-20 UNEF	65.94	71.10	30.76
20	1 1/8-24 NS	67.41	72.55	37.29
22	1 1/4-18 NEF	67.41	72.55	37.29
24	1 3/8-18 NEF	73.28	76.82	44.45
28	1 5/8-18 NEF	73.28	77.82	44.45
32	1 29/32-18 NS	74.75		52.22
36	2 1/26-20 UNS	74.75	77.64	57.15
40	2 5/16 - 16 UNS	86.0	125.0	67.10

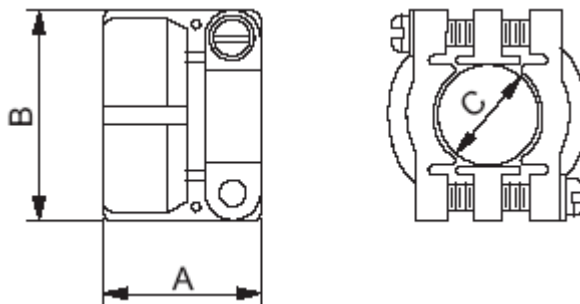
Right angle backshell with or without grommet
Class A, F F and R R



All dimensions are in mm

Connector Size	A Thread class 2B in inches	L max for MS/VG	L max for VG	L1 max	max	Thread in inches
10SL	5/8-24 NEF	37.60	5.00	25.00	22.22	5/8-24 UNEF
12 S	11/16-24 NEF	37.80	-	25.00	25.40	5/8-24 UNEF
12	11/16-24 NEF	7.30	-	25.00	25.40	5/8-24 UNEF
14S	3/4-20	39.40	7.00	27.00	28.57	3/4-20 UNEF
14	3/4-20	48.90	-	27.00	28.57	3/4-20 UNEF
16S	7/8-20 UNEF	42.60	8.00	28.00	31.75	7/8-20 UNEF
16	7/8-20 UNEF	52.10	57.00	28.00	31.75	7/8-20 UNEF
18	1-20 UNEF	53.70	58.00	31.00	34.13	1-20 UNEF
20	1 1/8-24 NS	58.80	61.00	34.00	37.30	1 3/16-18 UNEF
22	1 1/4-18	58.80	61.00	34.00	40.48	1 3/16-18 UNEF
24	1 3/8-18 NEF	63.60	66.00	37.00	43.66	1 7/16-18 UNEF
28	1 5/8-18 NEF	63.60	66.00	39.00	50.00	1 7/16-18 UNEF
32	1 29/32-18 NS	69.60	72.00	5.00	56.50	1 3/4-18 UNS
36	2 1/26-20	72.80	75.00	8.00	62.71	2-18 UNS
40	2 5/16-26 UN	76.00	78.00	55.00	62.71	2 1/4 -16 UN

Back accessories
Cable clamp
MS-3057
Use MS-3420 Sleeves

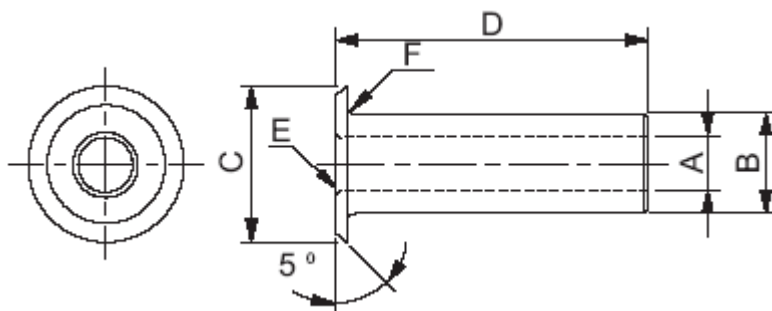


All dimensions are in mm

Part number	Shell size	Max OD of cable	A	B	C	Thread in inches
MS-3057-4A	10SL, 12S	7.94	20.90	21.39	7.94	5/8-24
MS-3057-6A	14, 14S	11.11	21.59	25.27	11.11	3/4-20
MS-3057-8A	16, 16S	14.29	23.37	28.45	14.29	7/8-20
MS-3057-10A	18	15.87	23.37	30.89	15.87	1-20
MS-3057-12A	20,22	19.05	23.54	35.64	19.05	13/16-18
MS-3057-16A	24,28	23.81	25.78	42.75	23.81	17/16-18
MS-3057-20A	32	31.70	28.00	51.00	31.70	13/4-18
MS-3057-24A	36	34.92	29.36	57.02	34.92	2-18

Neoprene sleeve
MS-3420

Rubber bushing. Protects wire bundles and unjacketed cables from possible damage by cable clamp.



All dimensions are in mm

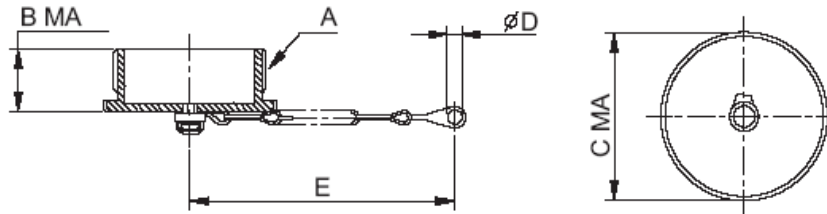
Part number	A	B	C	D	E Rad in inches	F Rad in inches
MS-3420-3	3.30	5.33	9.50	73.02	1/32	1/32
MS-3420-44	5.59	7.67	12.70	69.85	1/32	1/32
MS-3420-6	7.92	10.84	15.59	66.67	1/32	1/16
MS-3420-8	11.10	14.02	18.77	63.50	1/16	1/16
MS-3420-10	14.27	15.62	21.94	60.32	1/16	1/16
MS-3420-12	15.87	18.80	26.90	57.15	1/16	1/16
MS-3420-16	19.05	23.54	26.39	53.97	1/16	1/16
MS-3420-20	23.80	31.50	40.41	50.80	1/16	1/16
MS-3420-2	31.75	34.67	46.79	47.62	1/16	1/16

Other accessories

Protective cap for MS and VG series

MS-25042

For Plugs as external threads and is used on all plugs where a coupling ring is provided.



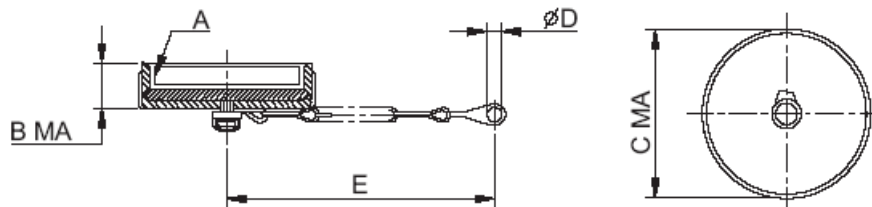
All dimensions are in mm

MS Part number	For connector size	A Thread in inches	B	C	D	E
MS 25042-10-1	MS 10S-1-SL	5/8-2	16.67	17.44	4	102
MS 25042-12-1	MS 12-12S	3/4-20	21.44	20.6	4	115
MS 25042-14-1	MS 14-14S	7/8-20	21.44	23.7	4	115
MS 25042-16-1	MS 16-16S	1-20	21.44	26.9	4	115
MS 25042-18-1	MS 18	1 1/8-18	21.44	30	4	115
MS 25042-20-1	MS 20	1 1/4-18	21.44	33	.8	127
MS 25042-22-1	MS 22	1 3/8-18	21.44	36.4	.8	127
MS 25042-24-1	MS 24	1 1/2-18	21.44	39.4	.8	140
MS 25042-28-1	MS 28	1 3/4-18	21.44	6	4.8	197
MS 25042-32-1	MS 32	2-18	21.44	52	5.6	197
MS 25042-36-1	MS 36	2 1/4-18	21.44	58.7	5.6	197
MS 25042-40-1	MS 40	2 1/2-16	21.44	65	5.6	197

Protective cap for MS and VG series

MS-25043

For receptacles has internal threads and is used on all receptacles. Gasket is provided in the dust cap forming a water tight seal.



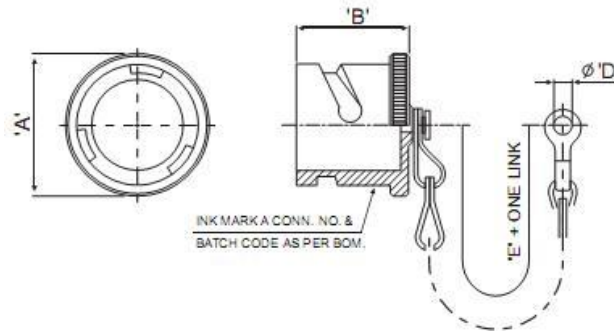
All dimensions are in mm

MS Part number	For connector size	A Thread in inches	B	C	D	E
MS 25043-10-1	MS 10S-1-SL	5/8-2	11.11	20.7	3.6	102
MS 25043-12-1	MS 12-12S	3/4-20	11.11	25.4	3.6	115
MS 25043-14-1	MS 14-14S	7/8-20	11.11	28.6	3.6	115
MS 25043-16-1	MS 16-16S	1-20	11.11	30.2	3.6	115
MS 25043-18-1	MS 18	1 1/8-18	11.11	34.1	3.6	115
MS 25043-20-1	MS 20	1 1/4-18	11.11	37.3	4.4	127
MS 25043-22-1	MS 22	1 3/8-18	11.11	40.4	4.4	127
MS 25043-24-1	MS 24	1 1/2-18	11.11	43.6	4.4	140
MS 25043-28-1	MS 28	1 3/4-18	12.7	50	4.8	197
MS 25043-32-1	MS 32	2-18	12.7	56.3	4.8	197
MS 25043-36-1	MS 36	2 1/4-18	12.7	62.7	4.8	197
MS 25043-40-1	MS 40	2 1/2-16	12.7	69	4.8	197

- Notes:**
1. For protective caps without chain or with nylon cord, contact factory.
 2. Standard - black anodised finish. For alternative finishes, contact factory.
 3. Standard - straight knurling. For diamond knurling on caps, contact factory.

Other accessories
 Protective cap for VG series
 VG - 25042

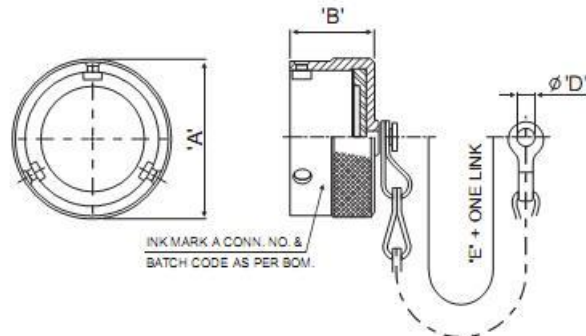
For plugs and it has external grooves and is used on all plugs.



All dimension in mm

Connector Size	'A' Max	'B' Max	'D' ±0.60/-0	'E' Min.
10SL	21.0	23.50	4.30	90.0
14 S	27.5			100.0
16 S	30.0			115.0
16	30.0			115.0
18	33.5	31.50	4.70	130.0
20	37.0			
22	40.0			
24	43.0		5.50	190.0
28	49.50			
32	56.0			
36	62.50			
40	73.0			

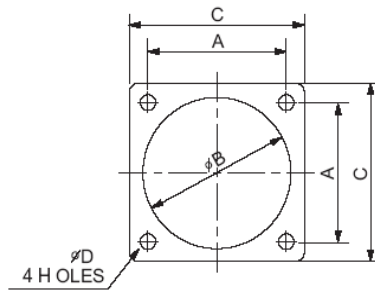
Protective cap for VG series
 VG - 25043
 For Receptacles



All dimension in mm

Connector Size	'A' Max	'B' Max	'D' ±0.60/-0	'E' Min.
10SL	23.0	16.0	4.30	90.0
14 S	30.0			100.0
16 S	32.50			115.0
16	32.50	20.70	4.30	115.0
18	37.0			
20	40.50			
22	43.50		5.50	160.0
24	47.0			
28	54.0			
32	60.50			
36	67.0			
40	73.0			

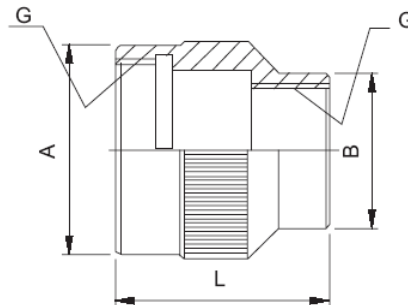
Other accessories
 Plain Flat Gasket
 for MS, / VG Series flange mounted receptacles



All dimensions are in mm

Part number	For connector size	A max	B	C	D
MS-101000	10SL	18.26	15.90	25.40	4.35
MS-108686	12S & 12	20.62	19.05	27.80	4.35
MS-101001	14S&14	23.01	22.20	30.15	4.35
MS-101002	16S & 16	24.61	25.40	32.50	4.35
MS-101003	18	27.00	28.57	34.90	5.15
MS-101004	20	29.36	31.75	38.10	5.15
MS-101005	22	31.75	34.90	41.20	5.15
MS-108687	24	34.90	38.10	44.45	5.15
MS-101006	28	39.70	44.45	50.80	5.15
MS-108688	32	44.45	50.80	57.15	5.55
MS-101007	36	49.22	55.57	63.50	5.55
MS-110831	40	55.77	61.92	69.85	5.55

PG Gland Adaptor



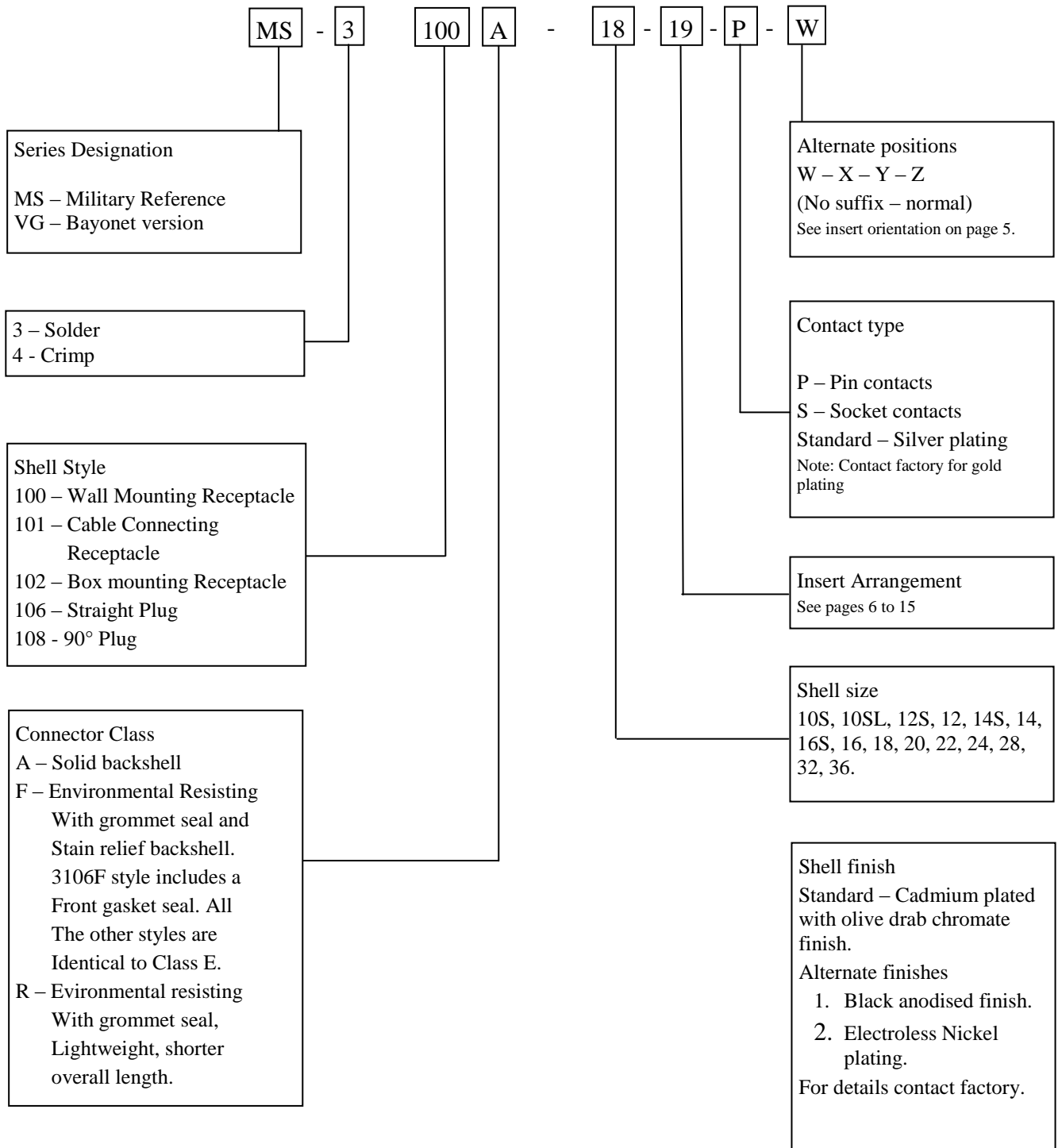
All dimensions are in mm

Shell size	G Thread in inches	G9			G 11			G13			G16			G21			G29			G36			
		A	B	L	L	A	B	A	B	L	A	B	L	A	B	L	A	B	L	A	B	L	
10SL	5/8-24																						
12S	11/16-2																						
14	3/4-20				23	23	30	23	23	30													
16	7/8-20				25	25	30				25	25	30										
18	1-20	30	21	26	30	26	37				30	28	37										
20	1 1/8-18				35	26	0				35	28	0	35	35	0							
22	1 1/4-18										35	28	0	35	35	0							
24	1 3/8-18													38	35	0	0	0	0				
28	1 5/8-18													5	35	5	5	5	5				
36	2 1/8-18																57	55	57	57	55		

Note - For ordering information on flat gaskets and PG adaptors, contact factory.

Ordering MS/VG series connectors

To obtain the specific connector required, write down the connector number from the typical example below. Only inserts shown in the availability chart shown on page 7 can be specified. Connectors are delivered with protective plastic dust covers. Include pre-mating contact designation only if pre-mating contact is required. The second letter in the pre-mating contact designation stands for the actual contact position. Any deviation from the specified design is indicated by - **D** at the end of the connector number. - **B** at the end of the connector number indicates telescopic bushing provided.



PARTS LIST

MS SERIES

SL.NO.	HITECH PART NO.	JSS STYLE REFERENCE
1	MS 3102R - 40 - 56P	CCT/102-R-40-56M
2	MS 3106F - 40 - 56S	CCT/106-F-40-56F
3	MS 3102R - 36 - 10P	CCT/102-R-36-10M
4	MS 3106F - 36 - 10S	CCT/106-F-36-10F
5	MS 3102R - 36 - 5P	CCT/102-R-36-5M
6	MS 3106F - 36 - 5S	CCT/106-F-36-5F
7	MS 3102R - 36 - 4P	CCT/102-R-36-4M
8	MS 3106F - 36 - 4S	CCT/106-F-36-4F
9	MS 3102R - 36 - 9P	CCT/102-R-36-9M
10	MS 3106F - 36 - 9S	CCT/106-F-36-9F
11	MS 3102R - 36 - 52P	CCT/102-R-36-52M
12	MS 3106F - 36 - 52S	CCT/106-F-36-52F
13	MS 3102R - 32 - 4P	CCT/102-R-32-4M
14	MS 3106F - 32 - 4S	CCT/106-F-32-4F
15	MS 3102R - 32 - 6P	CCT/102-R-32-6M
16	MS 3106F - 32 - 6S	CCT/106-F-32-6F
17	MS 3102R - 32 - 7P	CCT/102-R-32-7M
18	MS 3106F - 32 - 7S	CCT/106-F-32-7F
19	MS 3102R - 32 - 17P	CCT/102-R-32-17M
20	MS 3106F - 32 - 17S	CCT/106-F-32-17F
21	MS 3102R - 28 - 2P	CCT/102-R-28-2M
22	MS 3106F - 28 - 2S	CCT/106-F-28-2F
23	MS 3102R - 28 - 3P	CCT/102-R-28-3M
24	MS 3106F - 28 - 3S	CCT/106-F-28-3F
25	MS 3102R - 28 - 6P	CCT/102-R-28-6M
26	MS 3106F - 28 - 6S	CCT/106-F-28-6F
27	MS 3102R - 28 - 7P	CCT/102-R-28-7M
28	MS 3106F - 28 - 7S	CCT/106-F-28-7F
29	MS 3102R - 28 - 10P	CCT/102-R-28-10M
30	MS 3106F - 28 - 10S	CCT/106-F-28-10F
31	MS 3102R - 28 - 11P	CCT/102-R-28-11M
32	MS 3106F - 28 - 11S	CCT/106-F-28-11F
33	MS 3102R - 28 - 12P	CCT/102-R-28-12M
34	MS 3106F - 28 - 12S	CCT/106-F-28-12F
35	MS 3102R - 28 - 15P	CCT/102-R-28-15M
36	MS 3106F - 28 - 15S	CCT/106-F-28-15F
37	MS 3102R - 28 - 16P	CCT/102-R-28-16M
38	MS 3106F - 28 - 16S	CCT/106-F-28-16F
39	MS 3102R - 28 - 19P	CCT/102-R-28-19M
40	MS 3106F - 28 - 19S	CCT/106-F-28-19F
41	MS 3102R - 28 - 21P	CCT/102-R-28-21M

SL.NO.	HITECH PART NO.	JSS STYLE REFERENCE
42	MS 3106F - 28 - 21S	CCT/106-F-28-21F
43	MS 3102R - 28 - 22P	CCT/102-R-28-22M
44	MS 3106F - 28 - 22S	CCT/106-F-28-22F
45	MS 3102R - 28 - 18P	CCT/102-R-28-18M
46	MS 3106F - 28 - 18S	CCT/106-F-28-18F
47	MS 3102R - 24 - 2P	CCT/102-R-24-2M
48	MS 3106F - 24 - 2S	CCT/106-F-24-2F
49	MS 3102R - 24 - 5P	CCT/102-R-24-5M
50	MS 3106F - 24 - 5S	CCT/106-F-24-5F
51	MS 3102R - 24 - 7P	CCT/102-R-24-7M
52	MS 3106F - 24 - 7S	CCT/106-F-24-7F
53	MS 3102R - 24 - 9P	CCT/102-R-24-9M
54	MS 3106F - 24 - 9S	CCT/106-F-24-9F
55	MS 3102R - 24 - 10P	CCT/102-R-24-10M
56	MS 3106F - 24 - 10S	CCT/106-F-24-10F
29	MS 3102R - 24 - 11P	CCT/102-R-24-11M
30	MS 3106F - 24 - 11S	CCT/106-F-24-11F
31	MS 3102R - 24 - 17P	CCT/102-R-24-17M
32	MS 3106F - 24 - 17S	CCT/106-F-24-17F
33	MS 3102R - 24 - 22P	CCT/102-R-24-22M
34	MS 3106F - 24 - 22S	CCT/106-F-24-22F
35	MS 3102R - 24 - 28P	CCT/102-R-24-28M
36	MS 3106F - 24 - 28S	CCT/106-F-24-28F
37	MS 3102R - 22 - 2P	CCT/102-R-22-2M
38	MS 3106F - 22 - 2S	CCT/106-F-22-2F
39	MS 3102R - 22 - 10P	CCT/102-R-22-10M
40	MS 3106F - 22 - 10S	CCT/106-F-22-10F
41	MS 3102R - 22 - 14P	CCT/102-R-22-14M
42	MS 3106F - 22 - 14S	CCT/106-F-22-14F
43	MS 3102R - 22 - 18P	CCT/102-R-22-18M
44	MS 3106F - 22 - 18S	CCT/106-F-22-18F
45	MS 3102R - 22 - 19P	CCT/102-R-22-19M
46	MS 3106F - 22 - 19S	CCT/106-F-22-19F
47	MS 3102R - 22 - 20P	CCT/102-R-22-20M
48	MS 3106F - 22 - 20S	CCT/106-F-22-20F
49	MS 3102R - 22 - 22P	CCT/102-R-22-22M
50	MS 3106F - 22 - 22S	CCT/106-F-22-22F
51	MS 3102R - 22 - 23P	CCT/102-R-22-23M
52	MS 3106F - 22 - 23S	CCT/106-F-22-23F
53	MS 3102R - 20 - 29P	CCT/102-R-20-29M
54	MS 3106F - 20 - 29S	CCT/106-F-20-29F

SL.NO.	HITECH PART NO.	JSS STYLE REFERENCE
55	MS 3102R - 24 - 10P	CCT/102-R-24-10M
56	MS 3106F - 24 - 10S	CCT/106-F-24-10F
29	MS 3102R - 24 - 11P	CCT/102-R-24-11M
30	MS 3106F - 24 - 11S	CCT/106-F-24-11F
31	MS 3102R - 24 - 17P	CCT/102-R-24-17M
32	MS 3106F - 24 - 17S	CCT/106-F-24-17F
33	MS 3102R - 24 - 22P	CCT/102-R-24-22M
34	MS 3106F - 24 - 22S	CCT/106-F-24-22F
35	MS 3102R - 24 - 28P	CCT/102-R-24-28M
36	MS 3106F - 24 - 28S	CCT/106-F-24-28F
37	MS 3102R - 22 - 2P	CCT/102-R-22-2M
38	MS 3106F - 22 - 2S	CCT/106-F-22-2F
39	MS 3102R - 22 - 10P	CCT/102-R-22-10M
40	MS 3106F - 22 - 10S	CCT/106-F-22-10F
41	MS 3102R - 22 - 14P	CCT/102-R-22-14M
42	MS 3106F - 22 - 14S	CCT/106-F-22-14F
43	MS 3102R - 22 - 18P	CCT/102-R-22-18M
44	MS 3106F - 22 - 18S	CCT/106-F-22-18F
45	MS 3102R - 22 - 19P	CCT/102-R-22-19M
46	MS 3106F - 22 - 19S	CCT/106-F-22-19F
47	MS 3102R - 22 - 20P	CCT/102-R-22-20M
48	MS 3106F - 22 - 20S	CCT/106-F-22-20F
49	MS 3102R - 22 - 22P	CCT/102-R-22-22M
50	MS 3106F - 22 - 22S	CCT/106-F-22-22F
51	MS 3102R - 22 - 23P	CCT/102-R-22-23M
52	MS 3106F - 22 - 23S	CCT/106-F-22-23F
53	MS 3102R - 20 - 29P	CCT/102-R-20-29M
54	MS 3106F - 20 - 29S	CCT/106-F-20-29F
55	MS 3102R - 20 - 4P	CCT/102-R-20-4M
56	MS 3106F - 20 - 4S	CCT/106-F-20-4F
57	MS 3102R - 20 - 7P	CCT/102-R-20-7M
58	MS 3106F - 20 - 7S	CCT/106-F-20-7F
59	MS 3102R - 20 - 8P	CCT/102-R-20-8M
60	MS 3106F - 20 - 8S	CCT/106-F-20-8F
61	MS 3102R - 20 - 15P	CCT/102-R-20-15M
62	MS 3106F - 20 - 15S	CCT/106-F-20-15F
63	MS 3102R - 20 - 16P	CCT/102-R-20-16M
64	MS 3106F - 20 - 16S	CCT/106-F-20-16F
65	MS 3102R - 20 - 14P	CCT/102-R-20-14M
66	MS 3106F - 20 - 14S	CCT/106-F-20-14F
67	MS 3102R - 20 - 18P	CCT/102-R-20-18M

SL.NO.	HITECH PART NO.	JSS STYLE REFERENCE
68	MS 3106F - 20 - 18S	CCT/106-F-20-18F
69	MS 3102R - 20 - 19P	CCT/102-R-20-19M
70	MS 3106F - 20 - 19S	CCT/106-F-20-19F
71	MS 3102R - 20 - 23P	CCT/102-R-20-23M
72	MS 3106F - 20 - 23S	CCT/106-F-20-23F
73	MS 3102R - 20 - 24P	CCT/102-R-20-24M
74	MS 3106F - 20 - 24S	CCT/106-F-20-24F
75	MS 3102R - 20 - 21P	CCT/102-R-20-21M
76	MS 3106F - 20 - 21S	CCT/106-F-20-21F
77	MS 3102R - 20 - 31P	CCT/102-R-20-31M
78	MS 3106F - 20 - 31S	CCT/106-F-20-31F
79	MS 3102R - 20 - 27P	CCT/102-R-20-27M
80	MS 3106F - 20 - 27S	CCT/106-F-20-27F
81	MS 3102R - 18 - 3P	CCT/102-R-18-3M
82	MS 3106F - 18 - 3S	CCT/106-F-18-3F
83	MS 3102R - 18 - 4P	CCT/102-R-18-4M
84	MS 3106F - 18 - 4S	CCT/106-F-18-4F
85	MS 3102R - 18 - 8P	CCT/102-R-18-8M
86	MS 3106F - 18 - 8S	CCT/106-F-18-8F
87	MS 3102R - 18 - 10P	CCT/102-R-18-10M
88	MS 3106F - 18 - 10S	CCT/106-F-18-10F
89	MS 3102R - 18 - 11P	CCT/102-R-18-11M
90	MS 3106F - 18 - 11S	CCT/106-F-18-11F
91	MS 3102R - 18 - 12P	CCT/102-R-18-12M
92	MS 3106F - 18 - 12S	CCT/106-F-18-12F
93	MS 3102R - 18 - 8P	CCT/102-R-18-8M
94	MS 3106F - 18 - 8S	CCT/106-F-18-8F
95	MS 3102R - 18 - 1P	CCT/102-R-18-1M
96	MS 3106F - 18 - 1S	CCT/106-F-18-1F
97	MS 3102R - 16S - 4P	CCT/102-R-16S-4M
98	MS 3106F - 16S - 4S	CCT/106-F-16S-4F
99	MS 3102R - 16S - 5P	CCT/102-R-16S-5M
100	MS 3106F - 16S - 5S	CCT/106-F-16S-5F
101	MS 3102R - 16S - 10P	CCT/102-R-16S-10M
102	MS 3106F - 16S - 10S	CCT/106-F-16S-10F
103	MS 3102R - 16S - 11P	CCT/102-R-16S-11M
104	MS 3106F - 16S - 11S	CCT/106-F-16S-11F
105	MS 3102R - 16S - 9P	CCT/102-R-16S-9M
106	MS 3106F - 16S - 9S	CCT/106-F-16S-9F
107	MS 3102R - 16S - 8P	CCT/102-R-16S-8M
108	MS 3106F - 16S - 8S	CCT/106-F-16S-8F

SL.NO.	HITECH PART NO.	JSS STYLE REFERENCE
109	MS 3102R - 16S - 1P	CCT/102-R-16S-1M
110	MS 3106F - 16S - 1S	CCT/106-F-16S-1F
111	MS 3102R - 14S - 9P	CCT/102-R-14S-9M
112	MS 3106F - 14S - 9S	CCT/106-F-14S-9F
113	MS 3102R - 14S - 7P	CCT/102-R-14S-7M
114	MS 3106F - 14S - 7S	CCT/106-F-14S-7F
115	MS 3102R - 14S - 2P	CCT/102-R-14S-2M
116	MS 3106F - 14S - 2S	CCT/106-F-14S-2F
117	MS 3102R - 14S - 5P	CCT/102-R-14S-5M
118	MS 3106F - 14S - 5S	CCT/106-F-14S-5F
119	MS 3102R - 14S - 6P	CCT/102-R-14S-6M
120	MS 3106F - 14S - 6S	CCT/106-F-14S-6F
121	MS 3102R - 10SL - 4P	CCT/102-R-10SL-4M
122	MS 3106F - 10SL - 4S	CCT/106-F-10SL-4F
123	MS 3102R - 10SL - 3P	CCT/102-R-10SL-3M
124	MS 3106F - 10SL - 3S	CCT/106-F-10SL-3F
109	MS 3102R - 16S - 1P	CCT/102-R-16S-1M
110	MS 3106F - 16S - 1S	CCT/106-F-16S-1F
111	MS 3102R - 14S - 9P	CCT/102-R-14S-9M
112	MS 3106F - 14S - 9S	CCT/106-F-14S-9F
113	MS 3102R - 14S - 7P	CCT/102-R-14S-7M
114	MS 3106F - 14S - 7S	CCT/106-F-14S-7F
115	MS 3102R - 14S - 2P	CCT/102-R-14S-2M
116	MS 3106F - 14S - 2S	CCT/106-F-14S-2F
117	MS 3102R - 14S - 5P	CCT/102-R-14S-5M
118	MS 3106F - 14S - 5S	CCT/106-F-14S-5F
119	MS 3102R - 14S - 6P	CCT/102-R-14S-6M
120	MS 3106F - 14S - 6S	CCT/106-F-14S-6F
121	MS 3102R - 10SL - 4P	CCT/102-R-10SL-4M
122	MS 3106F - 10SL - 4S	CCT/106-F-10SL-4F
123	MS 3102R - 10SL - 3P	CCT/102-R-10SL-3M
124	MS 3106F - 10SL - 3S	CCT/106-F-10SL-3F

VG SERIES

Sl.	Part No
1	VG 3100R-10SL-3P/S
2	VG 3101R-10SL-3P/S
3	VG 3102R-10SL-3P/S
4	VG 3106F-10SL-3P/S
5	VG 3108F-10SL-3P/S
6	VG BHC-10SL-3P/S
7	VG 3100R-10SL-4P/S
8	VG 3101R-10SL-4P/S
9	VG 3102R-10SL-4P/S
10	VG 3106F-10SL-4P/S
11	VG 3108F-10SL-4P/S
12	VG 3100R-14S-2P/S
13	VG 3101R-14S-2P/S
14	VG 3102R-14S-2P/S
15	VG 3106F-14S-2P/S
16	VG 3108F-14S-2P/S
17	VG 3100R-14S-5P/S
18	VG 3101R-14S-5P/S
19	VG 3102R-14S-5P/S
20	VG 3106F-14S-5P/S
21	VG108F-14S-5P/S
22	VG100R-14S-6P/S
23	VG101R-14S-6P/S
24	VG102R-14S-6P/S
25	VG106F-14S-6P/S
26	VG108F-14S-6P/S
27	VG 3100R-14S-7P/S
28	VG 3101R-14S-7P/S
29	VG 3102R-14S-7P/S
30	VG 3106F-14S-7P/S
31	VG 3108F-14S-7P/S
32	VG 3100R-14S-9P/S
33	VG 3101R-14S-9P/S
34	VG 3102R-14S-9P/S
35	VG 3106F-14S-9P/S
36	VG 3108F-14S-9P/S
37	VG 3106F-14SA-61S
38	VG 3106F-14SA-61P
39	VG BHC -14SA-61S
40	VG 3100R-16S-1P/S
41	VG 3101R-16S-1P/S

Sl.	Part No
42	VG 3102R-16S-1P/S
43	VG 3106F-16S-1P/S
44	VG 3108F-16S-1P/S
45	VG BHC 16S- 1P/S
46	VG BHC 16S-1PSW
47	VG BHC 16S-1PSZ
48	VG 3100R-16S-2P/S
49	VG 3101R-16S-2P/S
50	VG 3102R-16S-2P/S
51	VG 3106F-16S-2P/S
52	VG 3108F-16S-2P/S
53	VG 3100R-16S-4P/S
54	VG 3101R-16S-4P/S
55	VG 3102R-16S-4P/S
56	VG 3106F-16S-4P/S
57	VG 3108F-16S-4P/S
58	VG 3100R-16S-5P/S
59	VG 3101R-16S-5P/S
60	VG 3102R-16S-5P/S
61	VG 3106F-16S-5P/S
62	VG 3108F-16S-5P/S
63	VG 3100R-16S-8P/S
64	VG 3101R-16S-8P/S
65	VG 3102R-16S-8P/S
66	VG 3106F-16S-8P/S
67	VG 3108F-16S-8P/S
68	VG 3100R-16S-9P/S
69	VG 3101R-16S-9P/S
70	VG 3102R-16S-9P/S
71	VG 3106F-16S-9P/S
72	VG 3108F-16S-9P/S
73	VG 3100R-16S-10P/S
74	VG 3101R-16S-10P/S
75	VG 3102R-16S-10P/S
76	VG 3106F-16S-10P/S
77	VG 3108F-16S-10P/S
78	VG 3100R-16S-11P/S
79	VG 3101R-16S-11P/S
80	VG 3102R-16S-11P/S
81	VG 3106F-16S-11P/S
82	VG 3108F-16S-11P/S

Sl.	Part No
83	VG 3100R-16S-12P/S
84	VG 3101R-16S-12P/S
85	VG 3102R-16S-12P/S
86	VG 3106F-16S-12P/S
87	VG 3108F-16S-12P/S
88	VG 3100R-18-1P/S
89	VG 3101R-18-1P/S
90	VG 3102R-18-1P/S
91	VG 3106F-18-1P/S
92	VG 3108F-18-1P/S
93	VG BHC -18-1P/S
94	VG 3100R-18-3P/S
95	VG 3101R-18-3P/S
96	VG 3102R-18-3P/S
97	VG 3106F-18-3P/S
98	VG 3108F-18-3P/S
99	VG 3100R-18-4P/S
100	VG 3101R-18-4P/S
101	VG 3102R-18-4P/S
102	VG 3106F-18-4P/S
103	VG 3108F-18-4P/S
104	VG 3100R-18-5P/S
105	VG 3101R-18-5P/S
106	VG 3102R-18-5P/S
107	VG 3106F-18-5P/S
108	VG 3108F-18-5P/S
109	VG 3100R-18-8P/S
110	VG 3101R-18-8P/S
111	VG 3102R-18-8P/S
112	VG 3106F-18-8P/S
113	VG 3108F-18-8P/S
114	VG 3100R-18-9P/S
115	VG 3101R-18-9P/S
116	VG 3102R-18-9P/S
117	VG 3106F-18-9P/S
118	VG 3108F-18-9P/S
119	VG 3100R-18-10P/S
120	VG 3101R-18-10P/S
121	VG 3102R-18-10P/S
122	VG 3106F-18-10P/S
123	VG 3108F-18-10P/S

Sl.	Part No
124	VG 3100R-18-11P/S
125	VG 3101R-18-11P/S
126	VG 3102R-18-11P/S
127	VG 3106F-18-11P/S
128	VG 3108F-18-11P/S
129	VG 3100R-18-12P/S
130	VG 3101R-18-12P/S
131	VG 3102R-18-12P/S
132	VG 3106F-18-12P/S
133	VG 3108F-18-12P/S
134	VG 3100R-18-15P/S
135	VG 3101R-18-15P/S
136	VG 3102R-18-15P/S
137	VG 3106F-18-15P/S
138	VG 3108F-18-15P/S
139	VG 3100R-18-16P/S
140	VG 3101R-18-16P/S
141	VG 3102R-18-16P/S
142	VG 3106F-18-16P/S
143	VG 3108F-18-16P/S
144	VG 3100R-18-19P/S
145	VG 3101R-18-19P/S
146	VG 3102R-18-19P/S
147	VG 3106F-18-19P/S
148	VG 3108F-18-19P/S
149	VG 3100R-18-21P/S
150	VG 3101R-18-21P/S
151	VG 3102R-18-21P/S
152	VG 3106F-18-21P/S
153	VG 3108F-18-21P/S
154	VG 3100R-18-22P/S
155	VG 3101R-18-22P/S
156	VG 3102R-18-22P/S
157	VG 3106F-18-22P/S
158	VG 3108F-18-22P/S
159	VG 3100R-20-4P/S
160	VG 3101R-20-4P/S
161	VG 3102R-20-4P/S
162	VG 3106F-20-4P/S
163	VG 3108F-20-4P/S
164	VG 3100R-20-5P/S

Sl.	Part No
165	VG 3101R-20-5P/S
166	VG 3102R-20-5P/S
167	VG 3106F-20-5P/S
168	VG 3108F-20-5P/S
169	VG 3100R-20-7P/S
170	VG 3101R-20-7P/S
171	VG 3102R-20-7P/S
172	VG 3106F-20-7P/S
173	VG 3108F-20-7P/S
174	VG 3100R-20-8P/S
175	VG 3101R-20-8P/S
176	VG 3102R-20-8P/S
177	VG 3106F-20-8P/S
178	VG 3108F-20-8P/S
179	VG 3100R-20-9P/S
180	VG 3101R-20-9P/S
181	VG 3102R-20-9P/S
182	VG 3106F-20-9P/S
183	VG 3108F-20-9P/S
184	VG 3100R-20-11P/S
185	VG 3101R-20-11P/S
186	VG 3102R-20-11P/S
187	VG 3106F-20-11P/S
188	VG 3108F-20-11P/S
189	VG 3100R-20-14P/S
190	VG 3101R-20-14P/S
191	VG 3102R-20-14P/S
192	VG 3106F-20-14P/S
193	VG 3108F-20-14P/S
194	VG 3100R-20-15P/S
195	VG 3101R-20-15P/S
196	VG 3102R-20-15P/S
197	VG 3106F-20-15P/S
198	VG 3108F-20-15P/S
199	VG 3100R-20-16P/S
200	VG 3101R-20-16P/S
201	VG 3102R-20-16P/S
202	VG 3106F-20-16P/S
203	VG 3108F-20-16P/S
204	VG 3100R-20-17P/S
205	VG 3101R-20-17P/S

Sl.	Part No
206	VG 3102R-20-17P/S
207	VG 3106F-20-17P/S
208	VG 3108F-20-17P/S
209	VG 3100R-20-18P/S
210	VG 3101R-20-18P/S
211	VG 3102R-20-18P/S
212	VG 3106F-20-18P/S
213	VG 3108F-20-18P/S
214	VG 3100R-20-19P/S
215	VG 3101R-20-19P/S
216	VG 3102R-20-19P/S
217	VG 3106F-20-19P/S
218	VG 3108F-20-19P/S
219	VG 3100R-20-23P/S
220	VG 3101R-20-23P/S
221	VG 3102R-20-23P/S
222	VG 3106F-20-23P/S
223	VG 3108F-20-23P/S
224	VG 3100R-20-27P/S
225	VG 3101R-20-27P/S
226	VG 3102R-20-27P/S
227	VG 3106F-20-27P/S
228	VG 3108F-20-27P/S
229	VG 3100R-20-29P/S
230	VG 3101R-20-29P/S
231	VG 3102R-20-29P/S
232	VG 3106F-20-29P/S
233	VG 3108F-20-29P/S
234	VG 3100R-20-31P/S
235	VG 3101R-20-31P/S
236	VG 3102R-20-31P/S
237	VG 3106F-20-31P/S
238	VG 3108F-20-31P/S
239	VG 3100R-22-1P/S
240	VG 3101R-22-1P/S
241	VG 3102R-22-1P/S
242	VG 3106F-22-1P/S
243	VG 3108F-22-1P/S
244	VG 3100R-22-2P/S
245	VG 3101R-22-2P/S
246	VG 3102R-22-2P/S

Sl.	Part No
247	VG 3106F-22-2P/S
248	VG 3108F-22-2P/S
249	VG 3100R-22-9P/S
250	VG 3101R-22-9P/S
251	VG 3102R-22-9P/S
252	VG 3106F-22-9P/S
253	VG 3108F-22-9P/S
254	VG 3100R-22-10P/S
255	VG 3101R-22-10P/S
256	VG 3102R-22-10P/S
257	VG 3106F-22-10P/S
258	VG 3108F-22-10P/S
259	2VG 3102R-22L-10S-16S
260	2VG BHC 22L-10P-16P
261	2VG 3106F-22L-10S-16S
262	VG 3100R-22-11P/S
263	VG 3101R-22-11P/S
264	VG 3102R-22-11P/S
265	VG 3106F-22-11P/S
266	VG 3108F-22-11P/S
267	VG 3100R-22-14P/S
268	VG 3101R-22-14P/S
269	VG 3102R-22-14P/S
270	VG 3106F-22-14P/S
271	VG 3108F-22-14P/S
272	VG 3100R-22-15P/S
273	VG 3101R-22-15P/S
274	VG 3102R-22-15P/S
275	VG 3106F-22-15P/S
276	VG 3108F-22-15P/S
277	VG 3100R-22-18P/S
278	VG 3101R-22-18P/S
279	VG 3102R-22-18P/S
280	VG 3106F-22-18P/S
281	VG 3108F-22-18P/S
282	VG 3100R-22-19P/S
283	VG 3101R-22-19P/S
284	VG 3102R-22-19P/S
285	VG 3106F-22-19P/S
286	VG 3108F-22-19P/S
287	VG 3100R-22-20P/S

Sl.	Part No
288	VG 3101R-22-20P/S
289	VG 3102R-22-20P/S
290	VG 3106F-22-20P/S
291	VG 3108F-22-20P/S
292	VG 3100R-22-22P/S
293	VG 3101R-22-22P/S
294	VG 3102R-22-22P/S
295	VG 3106F-22-22P/S
296	VG 3108F-22-22P/S
297	VG 3100R-22-23P/S
298	VG 3101R-22-23P/S
299	VG 3102R-22-23P/S
300	VG 3106F-22-23P/S
301	VG 3108F-22-23P/S
302	VG 3100R-22-34P/S
303	VG 3101R-22-34P/S
304	VG 3102R-22-34P/S
305	VG 3106F-22-34P/S
306	VG 3108F-22-34P/S
307	VG 3100R-24-2P/S
308	VG 3101R-24-2P/S
309	VG 3102R-24-2P/S
310	VG 3106F-24-2P/S
311	VG 3108F-24-2P/S
312	VG 3100R-24-5P/S
313	VG 3101R-24-5P/S
314	VG 3102R-24-5P/S
315	VG 3106F-24-5P/S
316	VG 3108F-24-5P/S
317	VG 3100R-24-7P/S
318	VG 3101R-24-7P/S
319	VG 3102R-24-7P/S
320	VG 3106F-24-7P/S
321	VG 3108F-24-7P/S
322	VG 3100R-24-9P/S
323	VG 3101R-24-9P/S
324	VG 3102R-24-9P/S
325	VG 3106F-24-9P/S
326	VG 3108F-24-9P/S
327	VG 3100R-24-10P/S
328	VG 3101R-24-10P/S

Sl.	Part No
329	VG 3102R-24-10P/S
330	VG 3106F-24-10P/S
331	VG 3108F-24-10P/S
332	VG 3100R-24-11P/S
333	VG 3101R-24-11P/S
334	VG 3102R-24-11P/S
335	VG 3106F-24-11P/S
336	VG 3108F-24-11P/S
337	VG 3100R-24-12P/S
338	VG 3101R-24-12P/S
339	VG 3102R-24-12P/S
340	VG 3106F-24-12P/S
341	VG 3108F-24-12P/S
342	VG 3100R-24-17P/S
343	VG 3101R-24-17P/S
344	VG 3102R-24-17P/S
345	VG 3106F-24-17P/S
346	VG 3108F-24-17P/S
347	VG 3100R-24-22P/S
348	VG 3101R-24-22P/S
349	VG 3102R-24-22P/S
350	VG 3106F-24-22P/S
351	VG 3108F-24-22P/S
352	VG 3100R-24-28P/S
353	VG 3101R-24-28P/S
354	VG 3102R-24-28P/S
355	VG 3106F-24-28P/S
356	VG 3108F-24-28P/S
357	VG 3100R-28-2P/S
358	VG 3101R-28-2P/S
359	VG 3102R-28-2P/S
360	VG 3106F-28-2P/S
361	VG 3108F-28-2P/S
362	VG 3100R-28-3P/S
363	VG 3101R-28-3P/S
364	VG 3102R-28-3P/S
365	VG 3106F-28-3P/S
366	VG 3108F-28-3P/S
367	VG 3100R-28-6P/S
368	VG 3101R-28-6P/S
369	VG 3102R-28-6P/S

Sl.	Part No
370	VG 3106F-28-6P/S
371	VG 3108F-28-6P/S
372	VG 3100R-28-9P/S
373	VG 3101R-28-9P/S
374	VG 3102R-28-9P/S
375	VG 3106F-28-9P/S
376	VG 3108F-28-9P/S
377	VG-BHC- 28-9P/S
378	VG 3100R-28-10P/S
379	VG 3101R-28-10P/S
380	VG 3102R-28-10P/S
381	VG 3106F-28-10P/S
382	VG 3108F-28-10P/S
383	VG 3100R-28-11P/S
384	VG 3101R-28-11P/S
385	VG 3102R-28-11P/S
386	VG 3106F-28-11P/S
387	VG 3108F-28-11P/S
388	VG 3100R-28-12P/S
389	VG 3101R-28-12P/S
390	VG 3102R-28-12P/S
391	VG 3106F-28-12P/S
392	VG 3108F-28-12P/S
393	VG 3100R-28-16P/S
394	VG 3101R-28-16P/S
395	VG 3102R-28-16P/S
396	VG 3106F-28-16P/S
397	VG 3108F-28-16P/S
398	VG 3100R-28-18P/S
399	VG 3101R-28-18P/S
400	VG 3102R-28-18P/S
401	VG 3106F-28-18P/S
402	VG 3108F-28-18P/S
403	VG 3100R-28-19P/S
404	VG 3101R-28-19P/S
405	VG 3102R-28-19P/S
406	VG 3106F-28-19P/S
407	VG 3108F-28-19P/S
408	VG 3100R-28-20P/S
409	VG 3101R-28-20P/S
410	VG 3102R-28-20P/S

Sl.	Part No
411	VG 3106F-28-20P/S
412	VG 3108F-28-20P/S
413	VG 3100R-28-21P/S
414	VG 3101R-28-21P/S
415	VG 3102R-28-21P/S
416	VG 3106F-28-21P/S
417	VG 3108F-28-21P/S
418	VG 3100R-28-22P/S
419	VG 3101R-28-22P/S
420	VG 3102R-28-22P/S
421	VG 3106F-28-22P/S
422	VG 3108F-28-22P/S
423	VG 3100R-32-4P/S
424	VG 3101R-32-4P/S
425	VG 3102R-32-4P/S
426	VG 3106F-32-4P/S
427	VG 3108F-32-4P/S
428	VG 3100R-32-6P/S
429	VG 3101R-32-6P/S
430	VG 3102R-32-6P/S
431	VG 3106F-32-6P/S
432	VG 3108F-32-6P/S
433	VG 3100R-32-7P/S
434	VG 3101R-32-7P/S
435	VG 3102R-32-7P/S
436	VG 3106F-32-7P/S
437	VG 3108F-32-7P/S
438	VG 3100R-32-13P/S
439	VG 3101R-32-13P/S
440	VG 3102R-32-13P/S
441	VG 3106F-32-13P/S
442	VG 3108F-32-13P/S
443	VG 3100R-32-15P/S
444	VG 3101R-32-15P/S
445	VG 3102R-32-15P/S
446	VG 3106F-32-15P/S
447	VG 3108F-32-15P/S
448	VG 3100R-32-17P/S
449	VG 3101R-32-17P/S
450	VG 3102R-32-17P/S

Sl.	Part No
451	VG 3106F-32-17P/S
452	VG 3108F-32-17P/S
453	VG 3100R-36-4P/S
454	VG 3101R-36-4P/S
455	VG 3102R-36-4P/S
456	VG 3106F-36-4P/S
457	VG 3108F-36-4P/S
458	VG 3100R-36-5P/S
459	VG 3101R-36-5P/S
460	VG 3102R-36-5P/S
461	VG 3106F-36-5P/S
462	VG 3108F-36-5P/S
463	VG 3100R-36-7P/S
464	VG 3101R-36-7P/S
465	VG 3102R-36-7P/S
466	VG 3106F-36-7P/S
467	VG 3108F-36-7P/S
468	VG 3100R-36-9P/S
469	VG 3101R-36-9P/S
470	VG 3102R-36-9P/S
471	VG 3106F-36-9P/S
472	VG 3108F-36-9P/S
473	VG 3100R-36-10P/S
474	VG 3101R-36-10P/S
475	VG 3102R-36-10P/S
476	VG 3106F-36-10P/S
477	VG 3108F-36-10P/S
478	VG 3100R-36-52P/S
479	VG 3101R-36-52P/S
480	VG 3102R-36-52P/S
481	VG 3106F-36-52P/S
482	VG 3108F-36-52P/S
483	VG 3100R-40-56P/S
484	VG 3101R-40-56P/S
485	VG 3102R-40-56P/S
486	VG 3106F-40-56P/S
487	VG 3108F-40-56P/S