

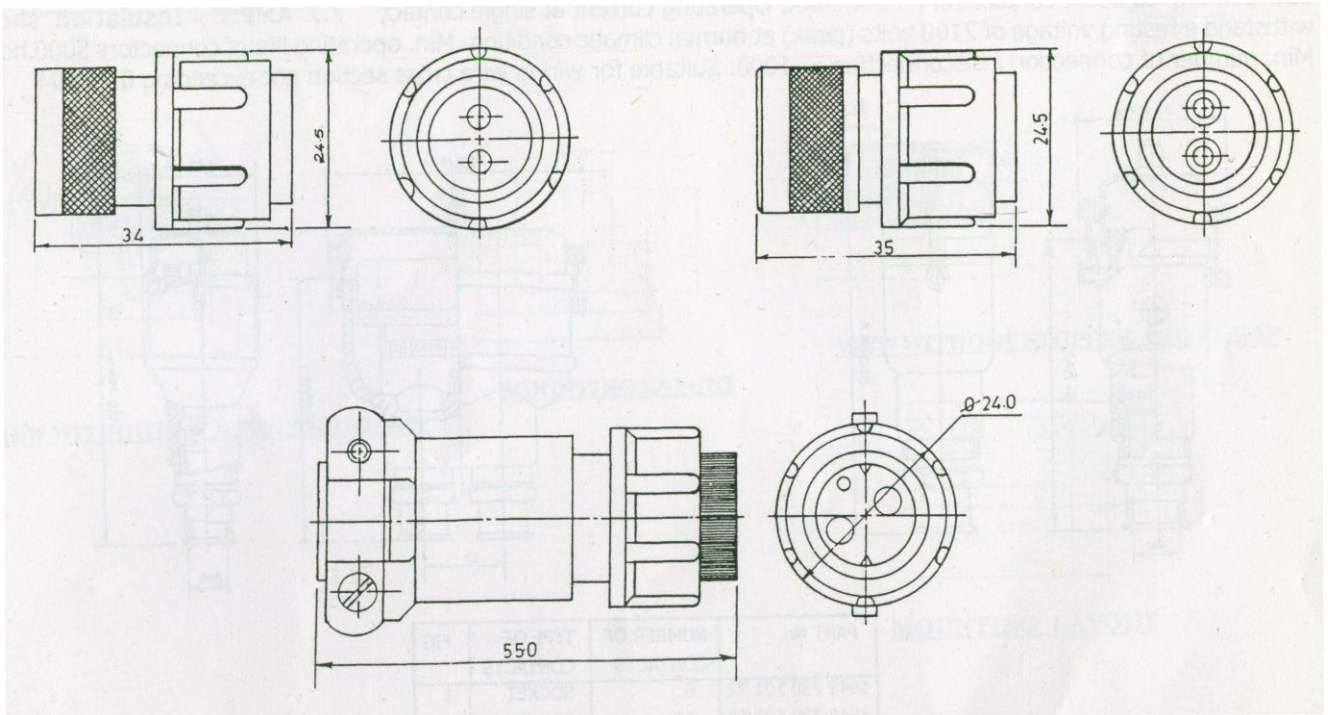
## Features:

Shell: Aluminium alloy with Cadmium Plating and passivated.

Insulator: Polycarbonate with high insulation resistance.

Contacts: High conductivity copper alloy plated with silver.

Screw & Washers: Steel with Cadmium plated and passivated.



### PWA RECTANGULAR CONNECTORS

Connector rectangular are meant for low frequency applications and operation in electrical networks of D.C/A.C, and pulse current with frequency up to 3MHz, at voltage up to 600V and current up to 6Amps. These connectors are meant for use in all types of climatic conditions.

Temp range: **-60° to +85° C.**

Amp resistance of contacts: **0.01Ω Max.**

Capacitance between any adjacent contact **10PF Max.**

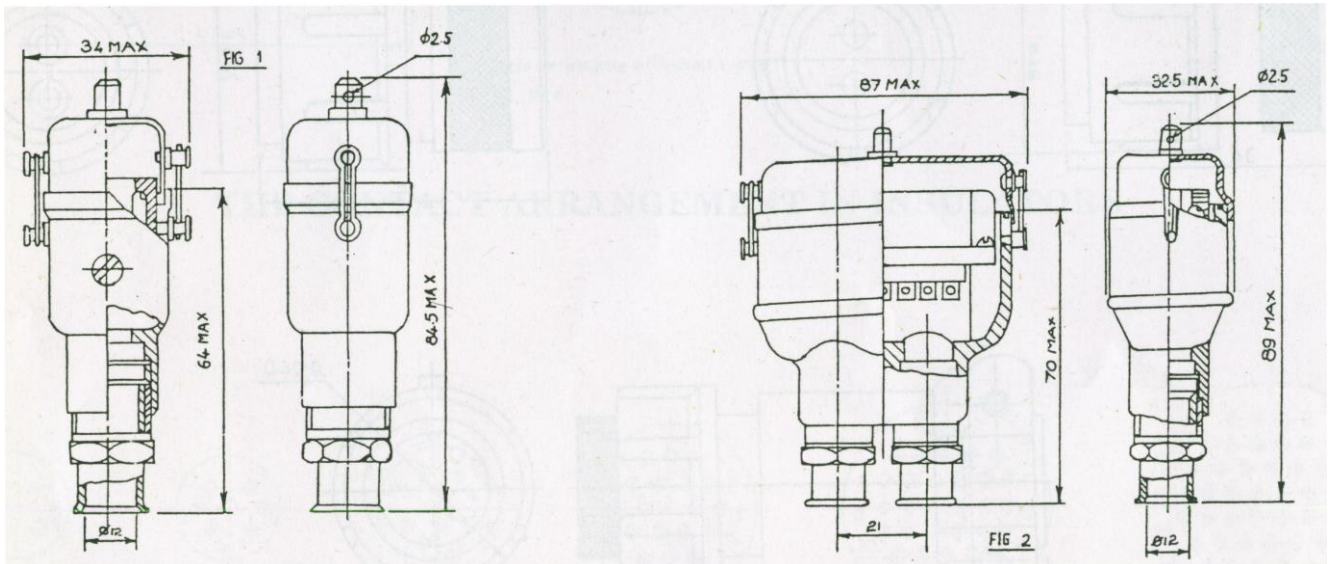
Max. Operating current at single contact: **7.7 Amps.**

Insulation withstanding a testing voltage of **2100 volts** (peak) at normal climatic condition.

Min. operating life of connectors: **5000 hours.**

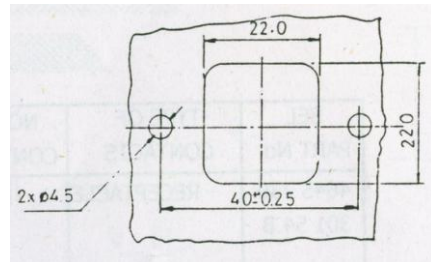
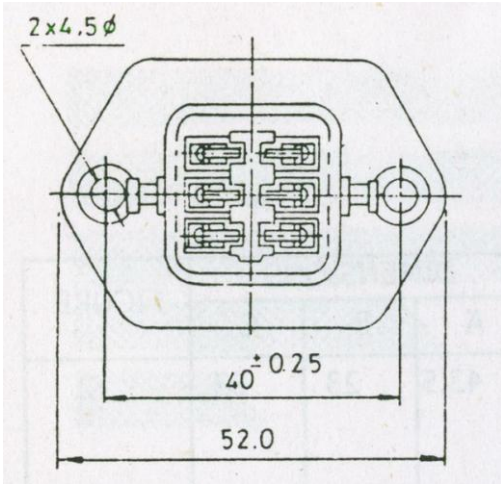
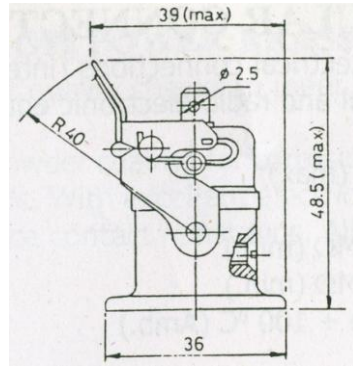
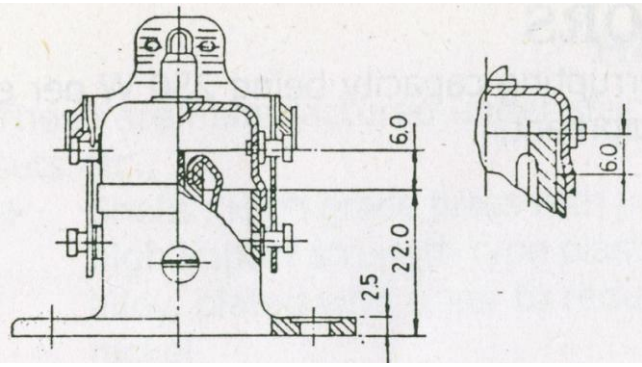
Min. number of connection / disconnection : **1000.**

Suitable for wiring wire cross section not exceeding **0.75 MM<sup>2</sup>**



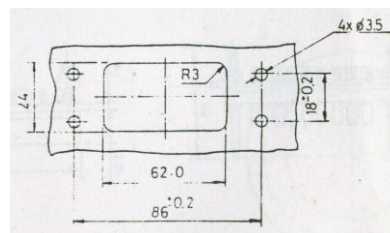
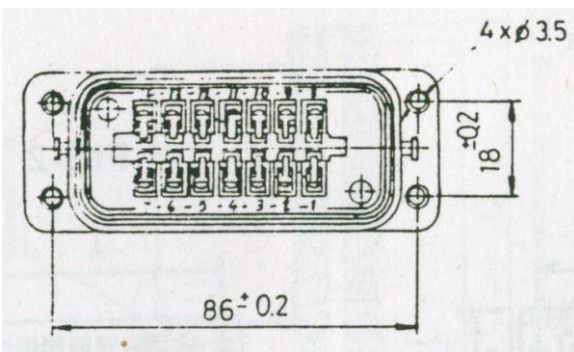
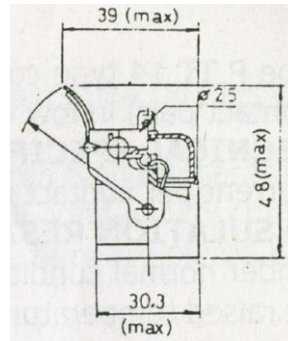
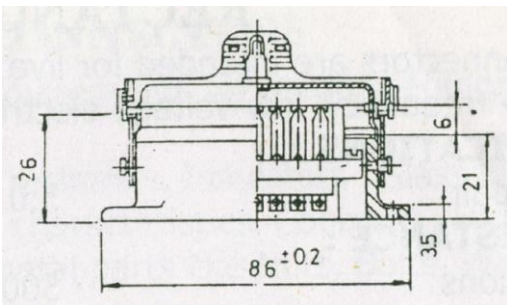
PART No.	NUMBER OF CONTACTS	TYPE OF CONTACTS	FIG
4645 730 101 72	6	SOCKET	1
4645 730 102 69	20	SOCKET	2

Dimensions in mm



Without stopper& clamp

Mounting Layout



Without stopper& clamp

Mounting Layout

## RECTANGULAR CONNECTORS

The PTT 14 type connectors are intended for live electrical connections (interrupting capacity being 250 W per each contact pair) in low - frequency, low-voltage electrical and radio electronic equipment.

### TECNICAL SPECIFICATIONS:

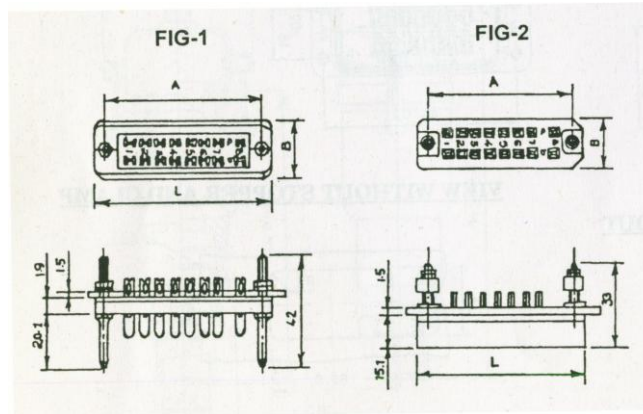
Current per contact pair : 5.0 A (max)

### INSULATION RESISTANCE:

Under normal conditions : 500 MQ (min.)

At raised temperature : 100 MQ (min.)

Temperature range : 60° to + 100 °C (Amb.)

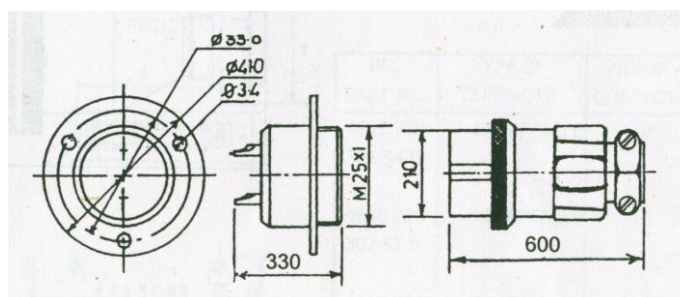


BEL PART No.	TYPE OF CONTACTS	NO OF CONTACTS	DIMENSIONS			FIGURE
			A	B	C	
4645 730 301 54 B	RECEPTACLE	10	43.5	23	53	2
4645 730 302 51 B	RECEPTACLE	16	62	23	71	2
4645 730 303 48 B	PLUG	10	43.5	23	53	1
4645 730 304 45B	PLUG	16	62	23	71	1

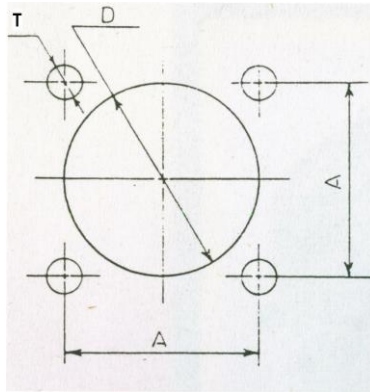
Dimensions in mm

## 2 3 4 - SERIES CONNECTORS

These Connectors one re-engineered to eliminate difficulties in soldering to cables /wires that were encountered with 1 HCL1 type connectors. It is not necessary to dismantle the connectors for soldering. The reliability has been incorporated into this new design which ensures, easy and quick Soldering, complete inter changeability with ' HCL1 type connectors. These connectors meet all relevant electrical requirements specified in JSS 50812.



## PANEL CUTOUT FOR RECEPTACLE



### 1. MILITARY STANDARD - CONFORMING TO JSS 50812

SHELL SIZE	A	D	T
10	18.26	19.85	3.05
12	20.62	19.85	3.05
14	23.01	23.01	3.05
16	24.61	26.61	3.05
18	26.97	29.36	3.05
20	29.36	32.56	3.05
22	31.75	35.71	3.05
24	34.92	38.91	3.73
28	39.67	45.26	3.73
32	44.45	51.61	4.39
36	49.23	57.96	4.39
40	55.58	64.31	4.39

### 2. MILITARY STANDARD - CONFORMING TO JSS 50860 - WP - SERIES

SHELL SIZE	A	D	T
12	16	12	3.2
16	19	16	3.2/3.5
20	22	20	3.5/4.5
28	30	28	3.5/4.5
32	32	32	3.5/4.5
36	34	36	3.5/4.5
40	40	40	3.5/4.5
48	48	48	3.5/4.5
55	52	55	4.5
60	54	60	4.5

### 3. MILITARY STANDARD - CONFORMING TO JSS 50860 - 2PM SERIES

SHELL SIZE	A	D	T
14	17	14	3.4
18	20	18	3.4
22	23	22	3.4
24	26	24	3.4
27	29	27	3.4
30	31	30	3.4
33	32	33	3.4
36	35	36	3.4
39	37	39	3.4
42	40	42	3.4