

PC Series

SUBMINIATURE CYLINDRICAL CONNECTORS

General Description

The connectors of PC Series are designed for use with electrical and electronic equipment. And these are used in the inside-the-equipment and equipment-to-equipment variants and in the sealed and unsealed variants.

The inside-the-equipment connector consists of an equipment-mounting plug and a cable-mounting socket mated by means of a coupling nut.

The equipment-to-equipment connector consists of two equipment-mounting parts (plug and socket mated by knife-blade connection). The connectors are mated and unmated automatically with the mounting units being jointed and disjoined.

The equipment-mounting plugs are manufactured in the sealed and unsealed variants. The cable mounting parts are unsealed.

The inside-the-equipment connectors include types are PC, PCA, PCT, PCAT which are unsealed connectors of conventional and tropicalised designs, and the PCГ, PCГA, PCГT, PCГAT which are sealed connectors of conventional and tropicalised designs, and the PCГC and PCГCII high sealing types.

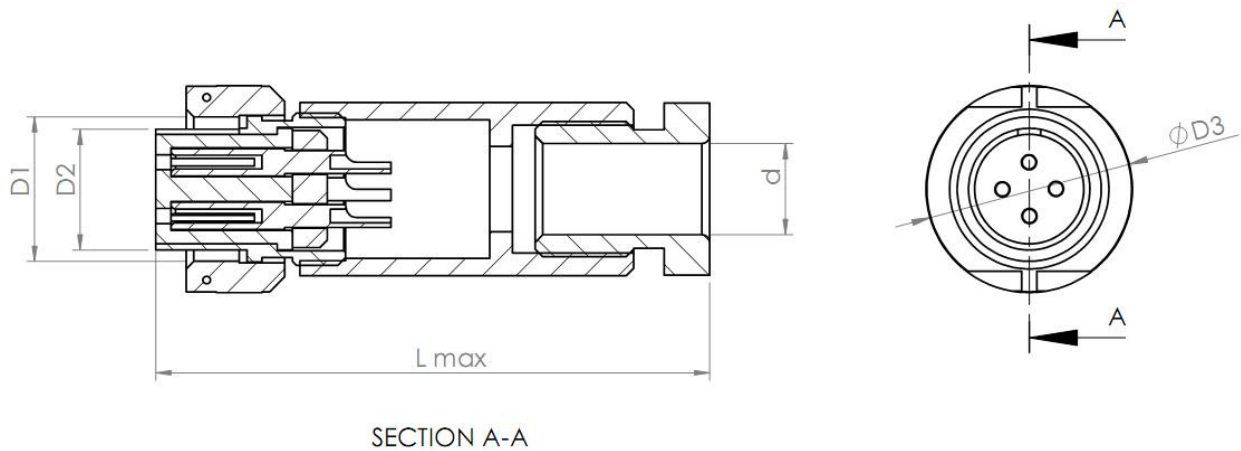
The equipment-to-equipment connectors include types РСБ, РСБА, РСБТ, РСБАТ – unsealed of conventional and tropicalized designs, and types PCГБ, PCГБА, PCГБТ, PCГБАТ – sealed of conventional and tropical designs. The unsealed connectors have both plug and socket unsealed. The sealed connectors have sealed plug to mate with unsealed sockets.

With regards to their design and application the connectors of series PC are manufactured in 18types.

Each type except PCГC and PCГCII comes in six modified versions as to their ratings. Type PCГC connectors are available in four modified versions.

All types have code designations consisting of figure and letters symbolizing definite classifications features.

Cable receptacle with shell, type PC, PCД

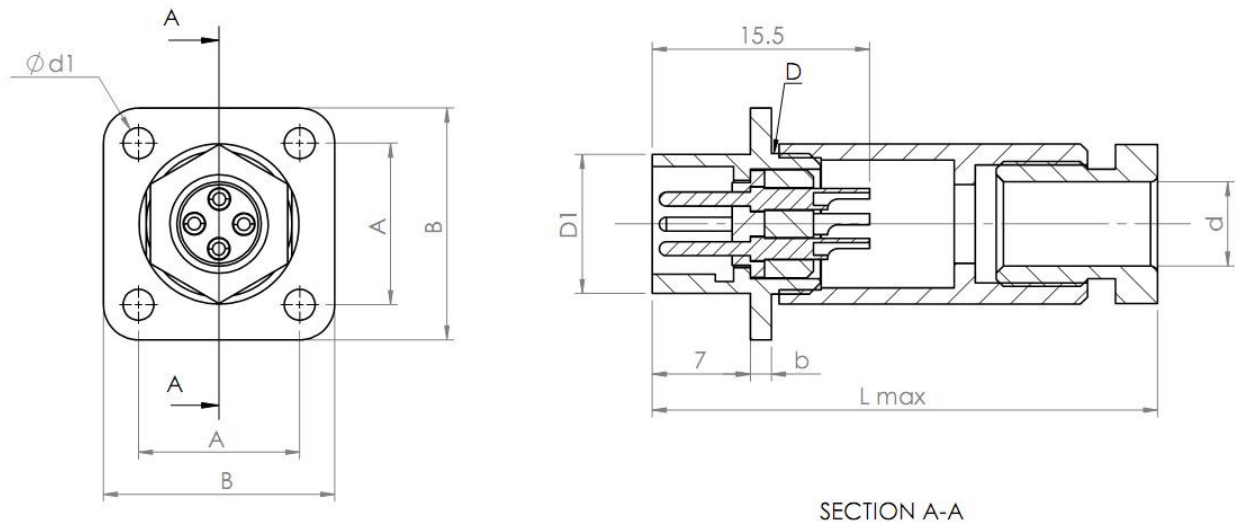


PC Series	D	D1	D2	D3	d	L max
PC 4	M 10 x 0.75	M 10 x 0.75	8.2	13	6	36
PC 7	M 12 x 0.75	M 10 x 0.75	10	15	8	38
PC 10	M 14 x 0.75	M 14 x 0.75	12	17	9	40
PC 19	M 18 x 0.75	M 18 x 1	15.5	21.5	11	42
PC 32	M 22 x 0.75	M 22 x 1	19.5	25.5	13	44
PC 50	M 27 x 0.75	M 27 x 1	24	30.5	16	48

Electrical Specification:

1. Body: HE – 30 Aluminium Shell
2. Outer Finish: Yellow Chromotised
3. Insulator: Phenolic glass insulator
4. Current Rating of Each Pin: 2 Amps
5. Voltage Rating: 500V AC
6. Contact Resistance: $\geq 5000\mu\Omega$

Equipment mounted plug with shell, type РСБ, РСБД

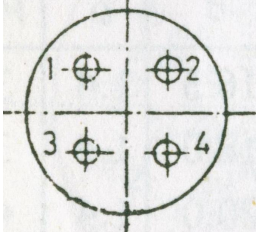


Shell Size	D	D1	d	d1	A	B	b	L max
10	M 10 x 0.75	M 10 x 0.75	6	2.2	11.8 +0.1	16.5	1.4	36
12	M 12 x 0.75	M 10 x 0.75	8	2.2	13.2 +0.1	18	1.4	38
14	M 14 x 0.75	M 14 x 0.75	9	2.2	15 +0.1	20	1.4	40
18	M 18 x 0.75	M 18 x 1	11	2.2	18 +0.1	24	1.4	42
22	M 22 x 0.75	M 22 x 1	13	2.7	21.5 +0.1	28	1.8	44
27	M 27 x 0.75	M 27 x 1	16	3.2	26 +0.1	33	2	48

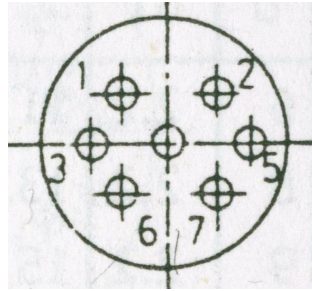
Electrical Specification:

7. Body: HE – 30 Aluminium Shell
8. Outer Finish: Yellow Chromotized
9. Insulator: Phenolic glass insulator
10. Current Rating of Each Pin: 2 Amps
11. Voltage Rating: 500V AC
12. Contact Resistance: $\geq 5000\mu\Omega$

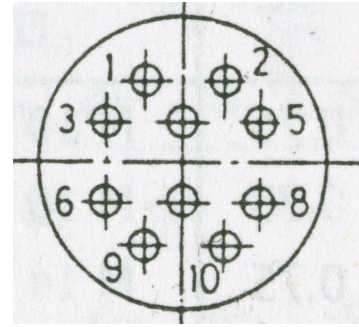
The Contact Arrangement in the insulators



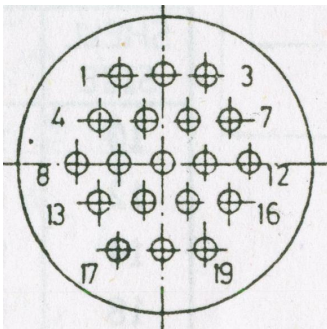
PC 4



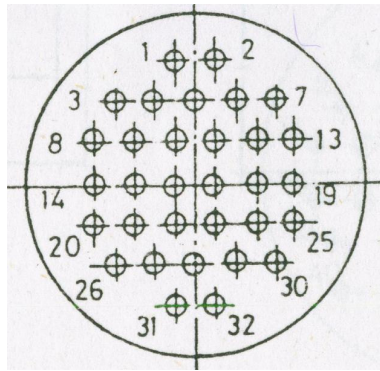
PC 7



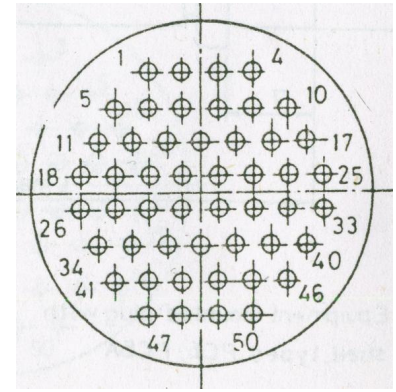
PC 10



PC 19



PC 32



PC 50